

PRODUCTS CATALOG



C1 SCALES



C2 CRANE SCALES



C3 INDUSTRIAL WEIGHING MODULES



Scales

Counting scales, weight/price/amount scales, pocket scales.
Approved scales: CE-M, UKCA, OIML R76, ATEX, IP69K.

Digital crane scales for suspended loads

CE marked hooks and shackles.
Ultra-light crane scales, for bridge cranes, portable with briefcase for transport, with remote-control with display, with possibility of printing and weights totalization. Approved crane scales: CE-M, UKCA, OIML R76.

Weighing platforms and modules

Suitable solutions to implement industrial scales and industrial weighing systems.
Single cell or 4 load cells industrial platforms. Weighing platforms with inspectable loading plate. Pallet-weighing. Weighing bars.
Approved platforms: CE-M, UKCA, OIML R60, ATEX, IECEx, IP69K. Approved pallet truck scale: OIML R76.

CERTIFICATIONS



European Conformity Mark (CE)



UKCA CERTIFICATION (UK Conformity Assessed) for the United Kingdom



MODULE D AND EU TYPE EXAMINATION CERTIFICATE FOR Non-Automatic Weighing Instruments (NAWI)



OIML APPROVAL



ATEX CERTIFICATION
IECEx CERTIFICATION





NTEP CERTIFICATION

Testing, Calibration, Quality Control

Calibration service through our **accredited laboratory (LAT)** for the calibration of load cells and load cells + weight indicator.

Issue of the relative certificates for force values between 2 and 100 kN (according to UNI EN ISO 376 and ASTM E 74 standards) or the linearity and repeatability test for force values between 0.5 and 5000 kN (compression) and between 0.5 and 600 kN (traction).

		PAGE
C1	SCALES	
C1.1	COUNTING SCALES	4
C1.2	WEIGHT/PRICE/AMOUNT SCALES	4
C1.3	POCKET SCALES	4
C2	CRANE SCALES	
C2.1	DIGITAL CRANE SCALES	17
C2.2	DIGITAL CRANE SCALES FOR BRIDGE CRANES	17
C3	INDUSTRIAL WEIGHING MODULES	
C3.1	SINGLE CELL PLATFORMS	31
C3.2	PLATFORMS WITH 4 LOAD CELLS	31
C3.3	PALLET-WEIGHING WITH 4 LOAD CELLS	32
C3.4	PALLET TRUCK SCALE	32

	CAPACITY	PAGE
C1.1	COUNTING SCALES	
	LACSN Up to 30 kg Divisions: 0.2 g ÷ 1 g	6
	BIL Up to 30 kg Divisions: 0.1 g ÷ 0.5 g Approved version Divisions: 1 g ÷ 10 g	8
	BIL2B Up to 30 kg Divisions: 0.1 g ÷ 0.5 g	10
C1.2	WEIGHT/PRICE/AMOUNT SCALES	
	BILP BILPA Up to 30 kg Divisions: 1 g ÷ 10 g	12
	BILPSTA Up to 30 kg Divisions: 1 g ÷ 10 g	14
C1.3	POCKET SCALES	
	LBIL500 Up to 500 g Divisions: 0.05 g	16
	LBIL3000 Up to 3 kg Divisions: 0.1 g	16



CAPACITY	kg	DIVISION (g)	NET WEIGHT (kg)	CODE
6		e=0.2	2.8	LACSN6
15		e=0.5	2.8	LACSN15
30		e=1	2.8	LACSN30

DESCRIPTION

- Stainless steel plate.
- 6-digit backlit LCD display (30 mm height).
- 8-key waterproof keyboard.
- Bubble level and adjustable feet.
- 4 V rechargeable internal battery, 4 Ah capacity.
- Operating time: 70 hours.
- External battery charger 230 VAC included.

MAIN FUNCTIONS

- Weight indication.
- Piece counting.
- Weight indication as a percentage.
- RS232 output for connection to PC.
- Weight checking (HIGH/LOW) with acoustic alarm.

CERTIFICATIONS



Equivalent of the CE marking for the United Kingdom

CERTIFICATIONS ON REQUEST

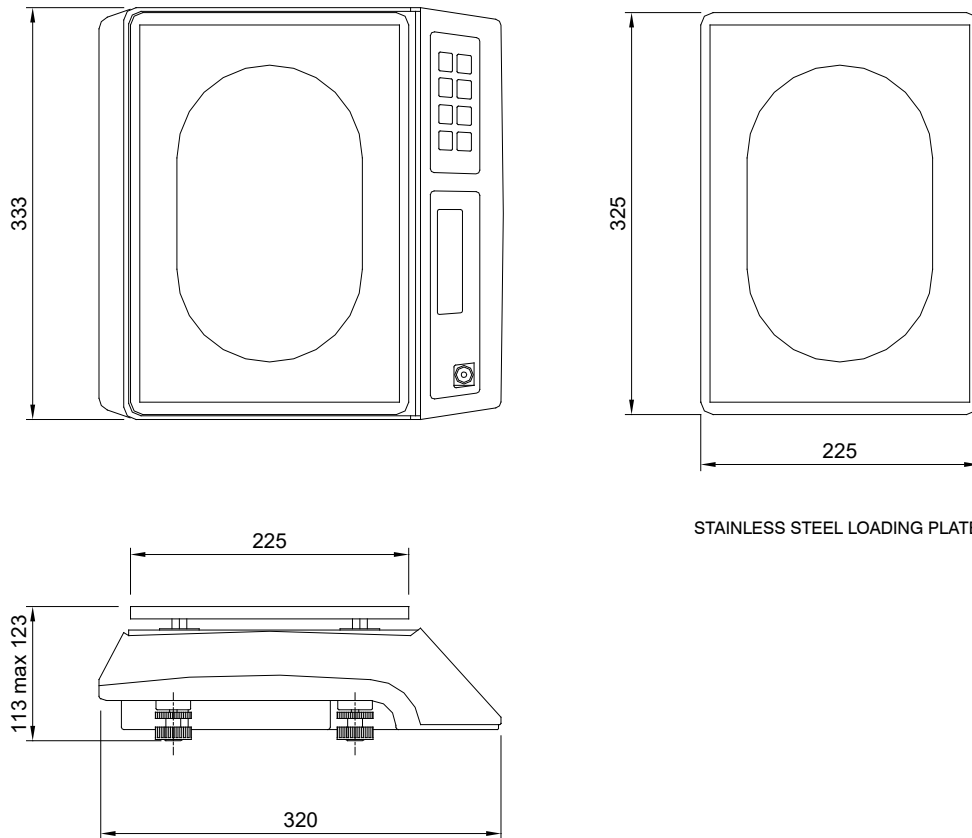
CODE



Linearity test

TARATURA50

DIMENSIONS (mm)



STAINLESS STEEL LOADING PLATE

TECHNICAL FEATURES

Power supply	230 VAC \pm 10%
Internal battery	4 V, 4 Ah capacity
Linearity	<0.01% full scale
Display resolution	30000
Units of measure	kg, lb
Serial port	RS232
Baud rate	1200, 2400, 4800, 9600 (bit/s)
Humidity (condensate free)	<85%
Storage temperature	-10 °C +50 °C
Working temperature	0 °C +40 °C



CAPACITY	kg	DIVISION (g)	NET WEIGHT (kg)	CODE
6		e=0.1	3.9	BIL6
15		e=0.2	3.9	BIL15
30		e=0.5	3.9	BIL30

C3 APPROVED - 3000 division - MULTIRANGE

3/6		e=1/2		VERIBIL6
6/15		e=2/5		VERIBIL15
15/30		e=5/10		VERIBIL30

DESCRIPTION

- Stainless steel plate.
- RS232 output for connection to PC or external printer.
- 6-digit backlit LCD display (24 mm height).
- 7-key waterproof keyboard.
- Bubble level and adjustable feet.
- 6 V rechargeable internal battery, 4 Ah capacity.
- Operating time: 70 hours.
- External battery charger 100-240 VAC included.
- Auto power-off.

MAIN FUNCTIONS

- Piece counting with sequence display of: number of pieces, average unit weight, total weight of the pieces on the scale.
- Automatic/manual totalization of the weighings.
- Weight indication as a percentage.
- Weight/pieces/percentage checking (HIGH/LOW) with acoustic and visual alarm.
- Receipt printing via STAVT II external printer: customizable header, date, time, net weight, average unit weight, number of pieces on the scale, total weight, total number of pieces.

CERTIFICATIONS



OIML R76:2006, class III, 3000 divisions

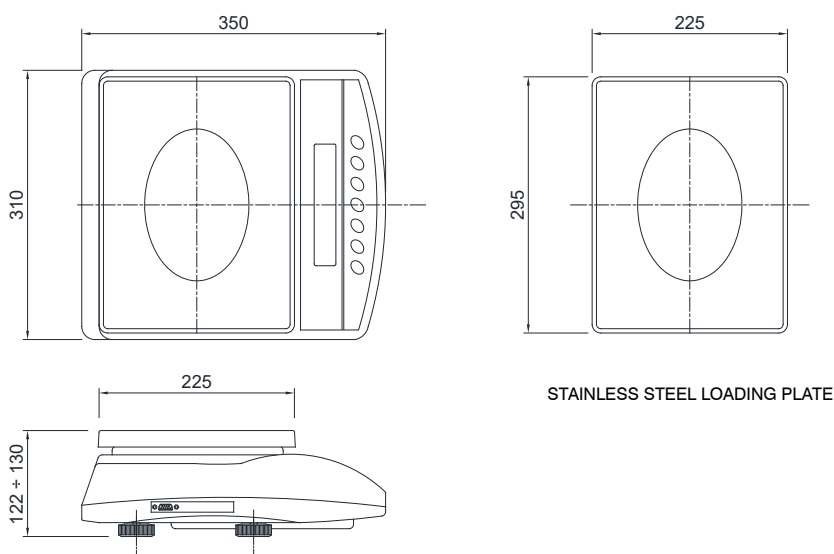


Equivalent of the CE marking for the United Kingdom

CERTIFICATIONS ON REQUEST

	CODE
✓ Linearity test	TARATURA50
M Conformity assessment (initial verification)	




DIMENSIONS (mm)



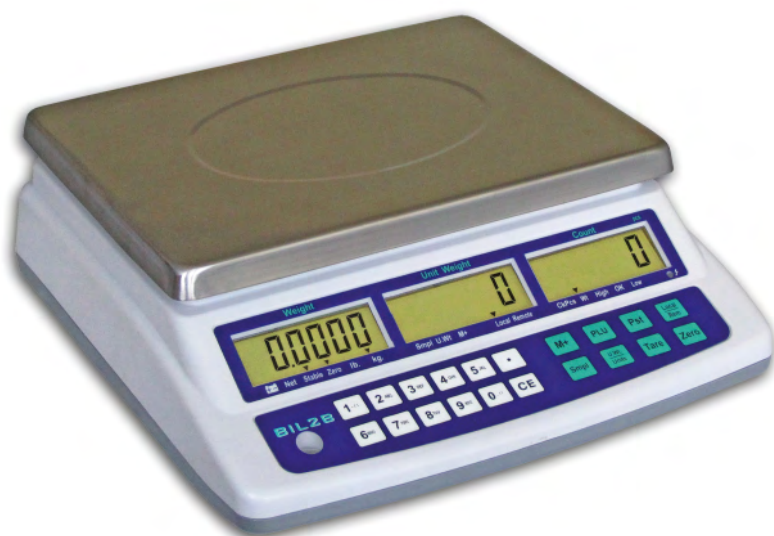
TECHNICAL FEATURES

Power supply	100-240 VAC
Internal battery	6 V, 4 Ah capacity
Linearity	<0.01% full scale
Display resolution	60000
Units of measure	g, kg
Serial port	RS232
Baud rate	2400, 4800, 9600, 19200 (bit/s)
Humidity (condensate free)	<85%
Storage temperature	-10 °C +50 °C
Working temperature	-10 °C +40 °C

OPTIONS ON REQUEST

	DESCRIPTION	CODE
	Stainless steel deep tray. Dimensions: 230x300x40 mm.	PIATTOBAC
	Panasonic rechargeable battery mod. LC-R064R5P - 6 V, 4.5 Ah capacity.	BATTERIA6V4AH
	Desktop thermal printer.	STAVTII

The Company reserves the right to make changes to the technical data, drawings and images without notice.



Counting scales connectable to remote weighing platform for weighing and counting of the large quantities:

- ACN / AIN / MN single cell platforms
- P / P-INOXN 4 cells platforms

CAPACITY	kg	DIVISION (g)	NET WEIGHT (kg)	CODE
6		e=0.1	4.8	BIL2B6
15		e=0.2	4.8	BIL2B15
30		e=0.5	4.8	BIL2B30

DESCRIPTION

- Stainless steel plate.
- RS232 output for connection to PC or external printer.
- Remote platform input (connector included).
- 3x 6-digit backlit LCD display (20 mm height).
- 20-key waterproof keyboard.
- Bubble level and adjustable feet.
- 6 V rechargeable internal battery, 4 Ah capacity.
- Operating time: 70 hours.
- External battery charger 100-240 VAC included.
- Auto power-off.

MAIN FUNCTIONS

- Piece counting with simultaneous display of: number of pieces, average unit weight, total weight of the pieces on the scale.
- 100 storable items (PLU) with the following parameters: name, preset tare value, average unit weight.
- Automatic/manual totalization of the weighings.
- Weight indication as a percentage.
- Weight/pieces/percentage checking (HIGH/LOW) with acoustic and visual alarm.
- Optional receipt printing via STAVT II external printer: customizable header, date, time, item name, scale ID, scale type, net weight, average unit weight, number of pieces on the scale, total weight, total number of pieces.

CERTIFICATIONS



Equivalent of the CE marking for the United Kingdom

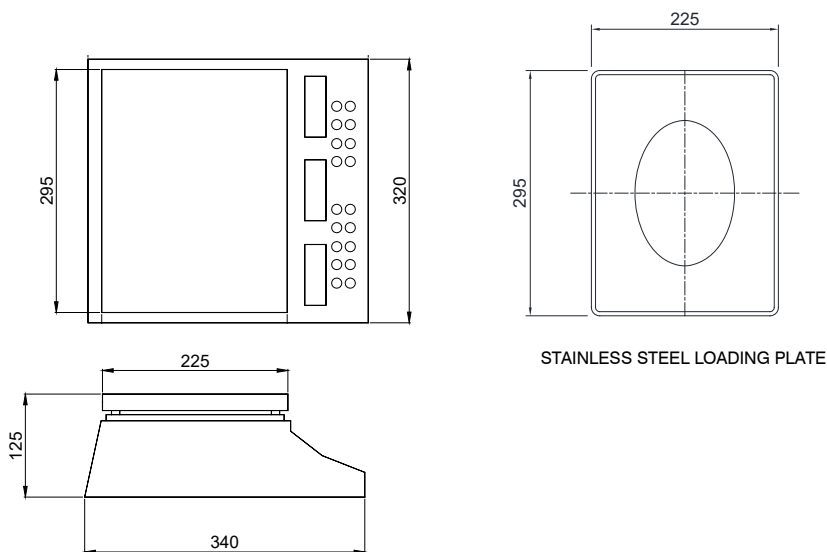
CERTIFICATIONS ON REQUEST

CODE



Linearity test

TARATURA50




DIMENSIONS (mm)

STAINLESS STEEL LOADING PLATE

TECHNICAL FEATURES

Power supply	100-240 VAC
Internal battery	6 V, 4 Ah capacity
Linearity	<0.01% full scale
Display resolution	60000
Units of measure	g, kg
Serial port	RS232
Remote platform input	5-pin circular connector (included)
Baud rate	600, 1200, 2400, 4800, 9600 (bit/s)
Humidity (condensate free)	<85%
Storage temperature	-10 °C +50 °C
Working temperature	0°C +40°C

OPTIONS ON REQUEST

	DESCRIPTION	CODE
	Stainless steel deep tray. Dimensions: 230x300x40 mm.	PIATTOBAC
	Panasonic rechargeable battery mod. LC-R064R5P - 6 V, 4.5 Ah capacity.	BATTERIA6V4AH
	Desktop thermal printer.	STAVTII

The Company reserves the right to make changes to the technical data, drawings and images without notice.



operator's side

BILP



customer's side



SWIVEL
DISPLAY
COLUMN

BILPA

CAPACITY	kg	DIVISION (g)	NET WEIGHT (kg)	CODE	NET WEIGHT (kg)	CODE
3/6		e=1/2	3.3	BILP6	4.5	BILPA6
6/15		e=2/5	3.3	BILP15	4.5	BILPA15
15/30		e=5/10	3.3	BILP30	4.5	BILPA30

DESCRIPTION

- Stainless steel plate.
- RS232 output for connection to external printer.
- Backlit LCD displays on both sides, 3x 6-digit (20 mm height).
- 20-key waterproof keyboard.
- Bubble level and adjustable feet.
- 6 V rechargeable internal battery, 4 Ah capacity.
- Operating time: 70 hours.
- External battery charger 100-240 VAC included.
- Auto power-off.

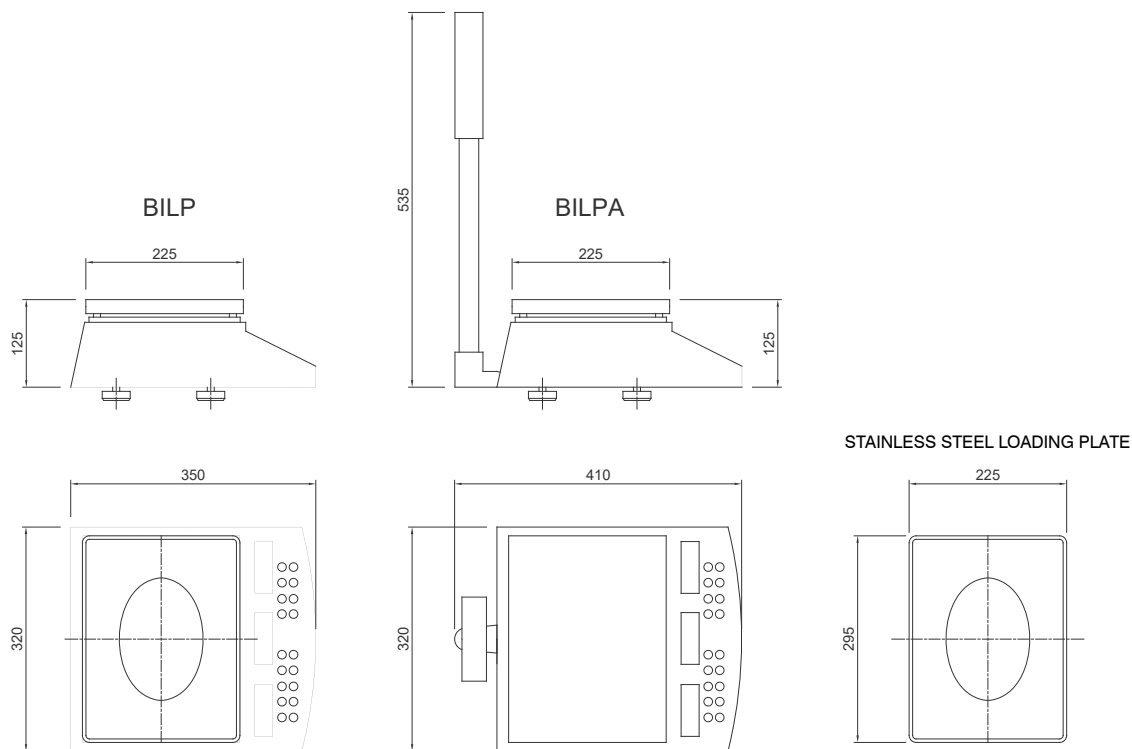
MAIN FUNCTIONS

- Simultaneous display of: weight, unit price, amount.
- 100 storable items (PLU) with unit price.
- Price unit setting: €/kg - €/100 g.
- Automatic cancellation of price and tare.
- Totalization of partial amounts.
- Automatic change calculation.
- Optional non-fiscal receipt printing via STAVT II external printer: customizable header, date, time, net weight, unit price, amount per item, total amount.

CERTIFICATIONS

- OIML R76:2006, class III, 3000 divisions
- Equivalent of the CE marking for the United Kingdom
- M** Conformity assessment (initial verification)

DIMENSIONS (mm)



TECHNICAL FEATURES

Power supply	100-240 VAC
Internal battery	6 V, 4 Ah capacity
Linearity	<0.01% full scale
Display resolution	3000
Units of measure	kg
Serial port	RS232
Baud rate	2400, 4800, 9600, 19200 (bit/s)
Humidity (condensate free)	<85%
Storage temperature	-10 °C +50 °C
Working temperature	-10 °C +40 °C

OPTIONS ON REQUEST

	DESCRIPTION	CODE
	Stainless steel deep tray. Dimensions: 230x300x40 mm.	PIATTOBAC
	Panasonic rechargeable battery mod. LC-R064R5P - 6 V, 4.5 Ah capacity.	BATTERIA6V4AH
	Desktop thermal printer.	STAVTII

The Company reserves the right to make changes to the technical data, drawings and images without notice.

BILPSTA

PRICE COMPUTING RETAIL SCALE WITH INTEGRATED PRINTER

LAUMAS®


DESCRIPTION

- Integrated thermal printer with real-time clock/calendar.
- Stainless steel plate.
- Backlit LCD displays on both sides, 4x 6-digit (15 mm height) and 1x 18-digit (10 mm height).
- 50-key waterproof keyboard.
- Bubble level and adjustable feet.
- 6 V rechargeable internal battery, 10 Ah capacity.
- Operating time: 100 hours.
- External battery charger 100-240 VAC included.
- Auto power-off.

MAIN FUNCTIONS

- Simultaneous management of 3 operators.
- Simultaneous display of: weight, unit price, amount, tare, date and time or customized message.
- Display of amount per item and total amount.
- Price unit setting: €/kg - €/100 g.
- Preset tare.
- Automatic cancellation of price and tare.
- 100 storable items (PLU) with the following parameters: name, code, price unit, unit sales price, unit purchase price, preset tare, stock.
- 56 PLU directly retrievable via keyboard.
- Items selling by number of pieces.
- Automatic change calculation.
- Management of purchase prices and suppliers.
- Automatic or manual loading of stocks.
- Printing of amount per item, total amount and change.
- Printing of sales and purchase archives, stocks, under-stock items.
- Non-fiscal receipt printing: customizable header, date, time, operator number, item name, net weight, unit price, amount per item, total amount, change and customized message.



CAPACITY	kg	DIVISION (g)	NET WEIGHT (kg)	CODE
3/6		e=1/2	8.6	BILPSTA6
6/15		e=2/5	8.6	BILPSTA15
15/30		e=5/10	8.6	BILPSTA30

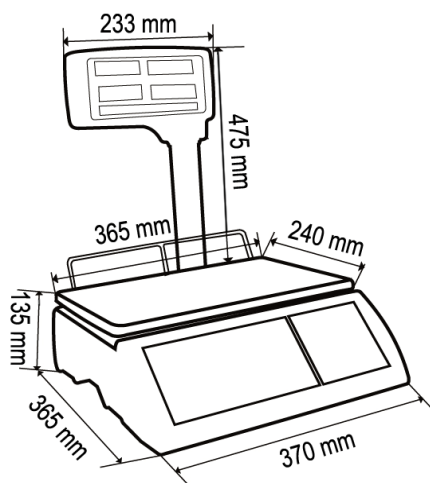
CERTIFICATIONS

- OIML R76:2006, class III, 3000 divisions
- Equivalent of the CE marking for the United Kingdom
- M** Conformity assessment (initial verification)

BILPSTA

PRICE COMPUTING RETAIL SCALE WITH INTEGRATED PRINTER

DIMENSIONS (mm)







TECHNICAL FEATURES

Power supply	100-240 VAC
Internal battery	6 V, 10 Ah capacity
Linearity	<0.01% full scale
Display resolution	3000
Units of measure	kg
Serial port	RS232
Baud rate	600, 1200, 2400, 4800, 9600 (bit/s)
Humidity (condensate free)	<85%
Storage temperature	-10 °C +50 °C
Working temperature	-10 °C +40 °C

METROLOGICAL SPECIFICATIONS OF TYPE-APPROVED INSTRUMENTS

Applied standards	2014/30/UE - EN 55022:2010 - EN 55024:2010 - EN61000-3-2:2014 - EN61000-3-3:2013
Operation modes	multi-interval
Accuracy class	III
Maximum number of scale verification divisions	3000 (class III)

OPTIONS ON REQUEST

	DESCRIPTION	CODE
	Stainless steel deep tray. Dimensions: 240x340x40 mm.	PIATTOBACSTA
	Panasonic rechargeable battery mod. LC-R0612P - 6 V, 12 Ah capacity.	BATTERIA6V12AH
	Thermal paper roll for weight/price/amount scales.	CARTAFISC
	Adhesive thermal paper roll.	CARTAFISCADEN

The Company reserves the right to make changes to the technical data, drawings and images without notice.


LBIL500

LBIL3000

CAPACITY	kg	DIVISION (g)	NET WEIGHT (g)	CODE
	0.5	e=0.05	100	LBIL500
	3	e=0.1	280	LBIL3000

DESCRIPTION

- Compact professional electronic scales for weighing operations anywhere.
- 5-digit backlit LCD display (14 mm height).
- Protection cover.
- Stainless steel plate.
- Waterproof keyboard.
- AAA 1.5V batteries, 80-hour operating time.

MAIN FUNCTIONS

- Weight indication.
- Tare weight zero setting.
- Calibration.
- Auto power-off.

TECHNICAL FEATURES

	LBIL500	LBIL3000
Power supply	2 batteries 1.5 V, AAA type	4 batteries 1.5 V, AAA type
Operating time	80 hours	80 hours
Dimensions	110x72x16.6 mm	133x95x33 mm
Loading plate	60x60 mm	84x68 mm
Keyboard	3 keys	4 keys
Display resolution	10000	30000
Units of measure	g, oz, ct, gr	g, oz, ct, gr
Humidity (condensate free)	<85%	<85%
Storage temperature	-10 °C +50 °C	-10 °C +50 °C
Working temperature	+10 °C +30 °C	+10 °C +30 °C

CERTIFICATIONS



Equivalent of the CE marking for the United Kingdom

CERTIFICATIONS ON REQUEST








CODE



Linearity test

TARATURA50

The Company reserves the right to make changes to the technical data, drawings and images without notice.

	CAPACITY	PAGE
C2.1	DIGITAL CRANE SCALES	
	DTEP Up to 300 kg Divisions: 10 g ÷ 50 g	19
	DTEZ Up to 30000 kg Divisions: 1 kg ÷ 10 kg	21
C2.2	DIGITAL CRANE SCALES FOR BRIDGE CRANES	
	DTA Up to 12000 kg Divisions: 0.2 kg ÷ 5 kg	23
	DTER Up to 5000 kg Divisions: 0.5 kg ÷ 1 kg	25
	DTE Up to 30000 kg Divisions: 5 kg	27
	DTEN500 DTEN1 Up to 1000 kg Divisions: 0.1 kg ÷ 0.2 kg	29
	DTEN3 DTEN5 DTEN10 DTEN20 Up to 20000 kg Divisions: 0.5 kg ÷ 5 kg	29

Area for notes with horizontal lines.



Capacity up to 300 kg

DESCRIPTION

- ABS crane scale with upper swivel shackle and lower swivel hook.
- 5-digit backlit LCD display (20 mm height).
- 4 signalling symbols.
- IP54 protection rating.
- 4 batteries 1.5 V AA type included.
- Operating time: 80 hours.
- Remote control with range up to 10 m line of sight.

MAIN FUNCTIONS

- Weight zero setting.
- Tare weight zero setting.
- Reading division setting.
- Units of measure setting: kg - lb.
- Auto power-off.



CAPACITY	kg	DIVISION (g)	NET WEIGHT (kg)	CODE
	50	e=10	1.2	DTEP50
	150	e=20	1.2	DTEP150
	300	e=50	1.2	DTEP300

CERTIFICATIONS

UK CA Equivalent of the CE marking for the United Kingdom

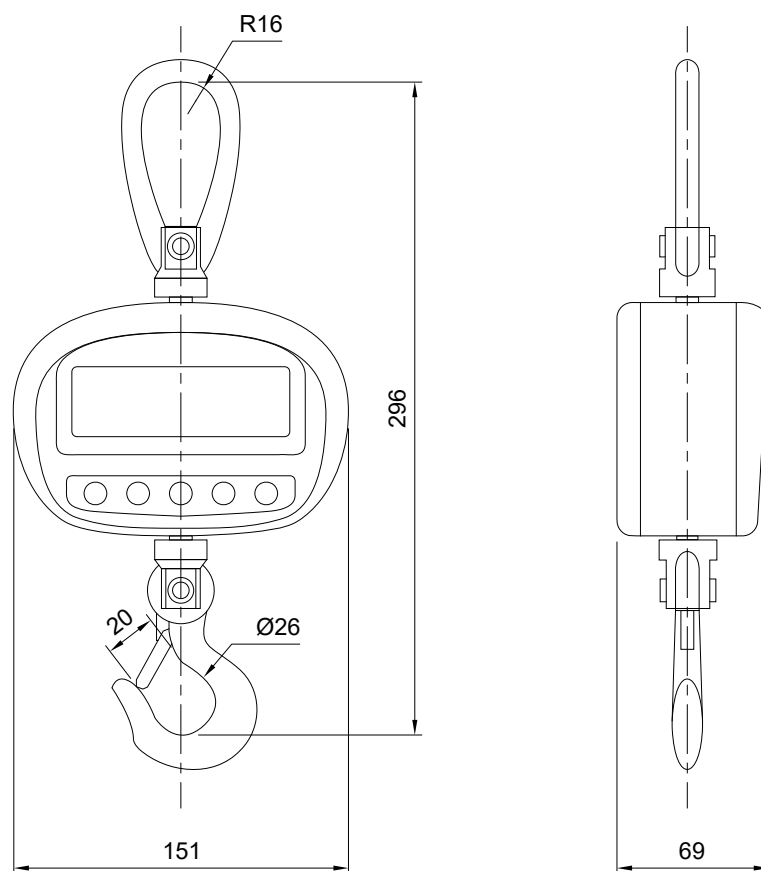
CERTIFICATIONS ON REQUEST

CODE

✓ Linearity test

TARATURA

DIMENSIONS (mm)



TECHNICAL FEATURES

Accuracy class (% of full scale)	± 0.05%
Safe overload (% of full scale)	150%
Ultimate overload (% of full scale)	200%
Humidity (condensate free)	10÷90%
Working temperature	-10°C +40°C

DTEZ

DIGITAL PORTABLE CRANE SCALE

LAUMAS®


Capacity up to 30 tons

DESCRIPTION

- Crane scale in high resistance aluminum alloy (DTEZ3/5) and steel (DTEZ10/20/30) complete with upper and lower shackles.
- 5-digit backlit LCD display (25 mm height).
- 10 signalling symbols.
- IP64 protection rating.
- 3 batteries 1.5 V AA type included.
- Operating time: 50 hours.
- Aluminum case included (DTEZ3/5/10).
- Hook for for 3 to 10 tons capacity (option on request).
- Remote control with range up to 15 m line of sight (option on request).

MAIN FUNCTIONS

- Weight totalizing.
- Semi-automatic tare (net/gross weight).
- Weight zero setting.
- Tare weight zero setting.
- Displaying of the maximum weight value reached (peak).
- Units of measure setting: kg - t - N - kN - lb.
- Energy saving mode.
- Auto power-off.
- Access to calibration functions via remote control (option on request).
- Printing of weighing data via remote control (option on request).



CASE INCLUDED
(DTEZ3/5/10)



HOOK
(option on request)



REMOTE CONTROLS
(options on request)



CAPACITY	kg	DIVISION (kg)	CRANE SCALES NET WEIGHT (kg)	HOOK NET WEIGHT (kg)	CODE
3000		e=1	6.4	3	DTEZ3
5000		e=2	8.8	5.5	DTEZ5
10000		e=5	24	5.9	DTEZ10
20000		e=10	45	-	DTEZ20
30000		e=10	62	-	DTEZ30

CERTIFICATIONS

UKCA Equivalent of the CE marking for the United Kingdom

CERTIFICATIONS ON REQUEST

CODE

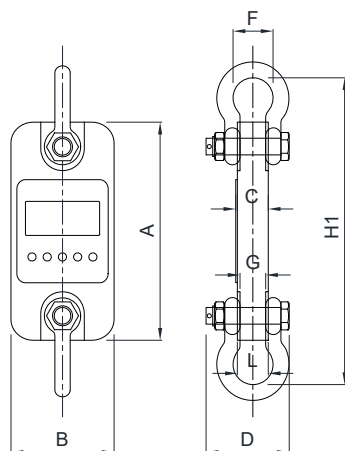
✓ Linearity test

TARATURA

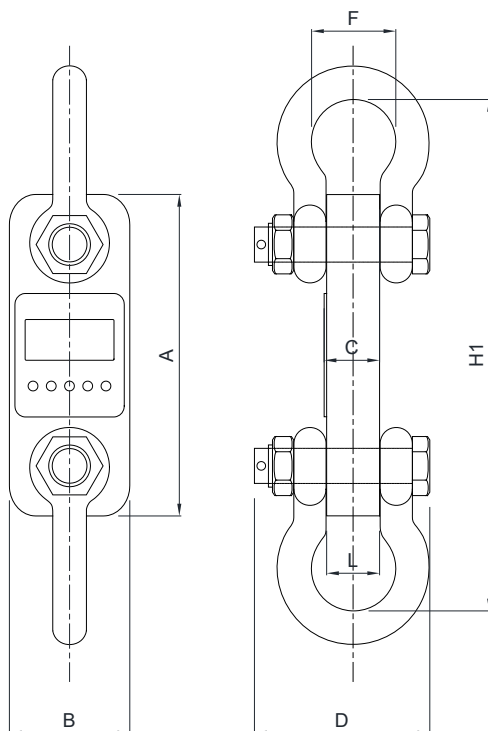
DTEZ

DIGITAL PORTABLE CRANE SCALE

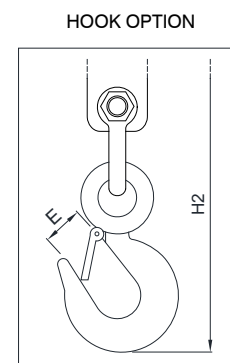
DIMENSIONS (mm)



mm	DTEZ3	DTEZ5
A	260	285
B	123	123
C	39	55
D	103	120
H1	365	405
H2	555	635
E	55	65
F	Ø51	Ø58
G	30	34
L	37	53



mm	DTEZ10	DTEZ20	DTEZ30
A	320	375	420
B	120	128	138
C	55	72	84
D	183	230	265
H1	535	660	740
H2	840	-	-
E	95	-	-
F	Ø92	Ø127	Ø146
G	-	-	-
L	53	70	82



TECHNICAL FEATURES

Accuracy class (% of full scale)	± 0.01%
Safe overload (% of full scale)	150%
Ultimate overload (% of full scale)	400%
Humidity (condensate free)	10÷90%
Working temperature	-10°C +40°C

OPTIONS ON REQUEST

	DESCRIPTION	CODE
	Remote control with display, range up to 15 m line of sight.	TELEDTEZ
	Remote control with display and printer, range up to 15 m line of sight.	TELEDTEZPRINT
	Hook for capacities up to 3000 kg Hook for capacities up to 5000 kg Hook for capacities up to 10000 kg	

The Company reserves the right to make changes to the technical data, drawings and images without notice.

DTA

APPROVED DIGITAL CRANE SCALE

LAUMAS®


Capacity up to 12000 kg

DESCRIPTION

- Approved die-cast aluminum crane scale complete with upper shackle and lower hook; suitable for bridge crane.
- 6-digit backlit LCD display (30 mm height).
- IP65 protection rating.
- 7.4 V rechargeable internal battery, 5200 mAh capacity.
- Operating time: 60 hours.
- External battery charger 100-240 VAC included.
- Remote control with range up to 20 m line of sight.

MAIN FUNCTIONS

- Semi-automatic tare (net/gross weight).
- Weight zero setting.
- Tare weight zero setting.
- High resolution visualization.
- Remote control functions: high resolution, zero, net weight, stand-by.
- Energy saving mode.



CAPACITY	kg	OIML R76	DIVISION (kg)	NET WEIGHT (kg)	CODE
600		•	e=0.2	8.5	DTA600
1500		•	e=0.5	8.5	DTA1.5T
3000		•	e=1	9.9	DTA3T
6000		•	e=2	17	DTA6T
12000		•	e=5	20	DTA12T

CERTIFICATIONS



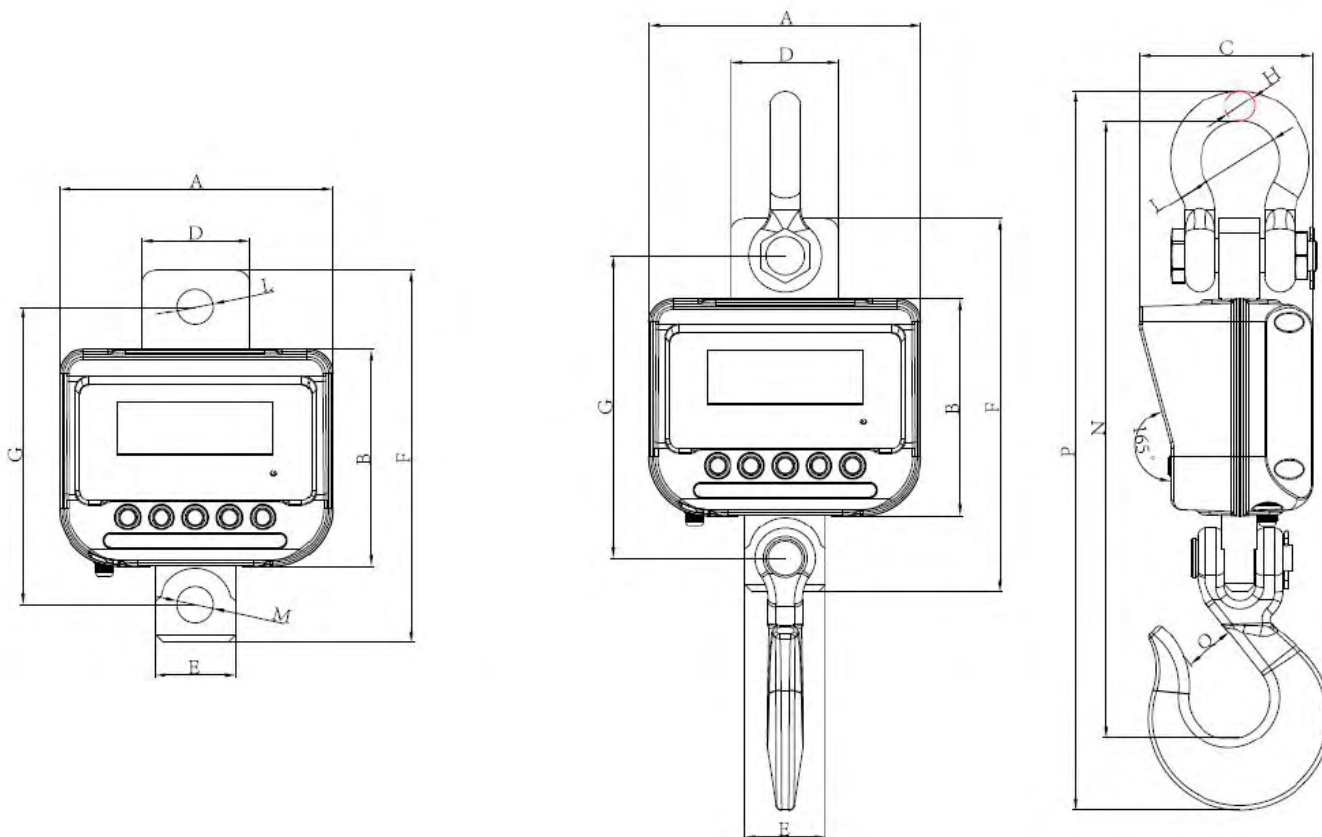
OIML R76:2006, class III, 3000 divisions

M

Conformity assessment (initial verification)

Compliant to machinery directive 2006/42/EC and EN 13155:2003/A2:2009

DIMENSIONS (mm)



Mod.	A	B	C	D	E	F	G	ØH	ØJ	ØL	ØM	N	P	Q
DTA600	201	160	128.5	80	60	270	219	19	50.8	23	23	415	477	42.9
DTA1.5T	201	160	128.5	80	60	270	219	19	50.8	23	23	415	477	42.9
DTA3T	201	160	128.5	80	60	275	219.5	22	58	26.5	26.5	456	532	50.8
DTA6T	201	160	128.5	95	80	320	248	25.4	68.3	30	30	528	624	63.5
DTA12T	201	160	128.5	95	80	330	247.5	31.8	82.5	36	36	557	660	63.5

TECHNICAL FEATURES

Working load limit without releasing the load (% of full scale)	300%
Safe overload (% of full scale)	200%
Working temperature	-10°C +40°C

DTER

DIGITAL CRANE SCALE

LAUMAS®



Capacity up to 5000 kg

DESCRIPTION

- Die-cast aluminum crane scale complete with upper shackle and lower swivel hook; suitable for bridge crane.
- 5-digit semi-alphanumeric red LED display (30 mm height).
- 6 signalling LED.
- IP64 protection rating.
- Brightness control.
- 6 V rechargeable internal battery, 3,2 Ah capacity (spare battery included).
- Operating time: 80 hours.
- External battery charger 230 VAC included.
- Remote control with range up to 10 m line of sight.

MAIN FUNCTIONS

- HOLD function (lock of the displayed weight).
- Number of weighed values and totalized weight value.
- Semi-automatic tare (net/gross weight) and preset tare.
- Weight zero setting.
- Tare weight zero setting.
- Storing of the number of overloadings.
- Reading division setting.
- Units of measure setting: kg - lb.
- Energy saving mode.
- Auto power-off.



CAPACITY	kg	DIVISION (kg)	NET WEIGHT (kg)	CODE
3000		e=0.5	11.5	DTER3
5000		e=1	15.5	DTER5

CERTIFICATIONS

UK CA Equivalent of the CE marking for the United Kingdom

CERTIFICATIONS ON REQUEST

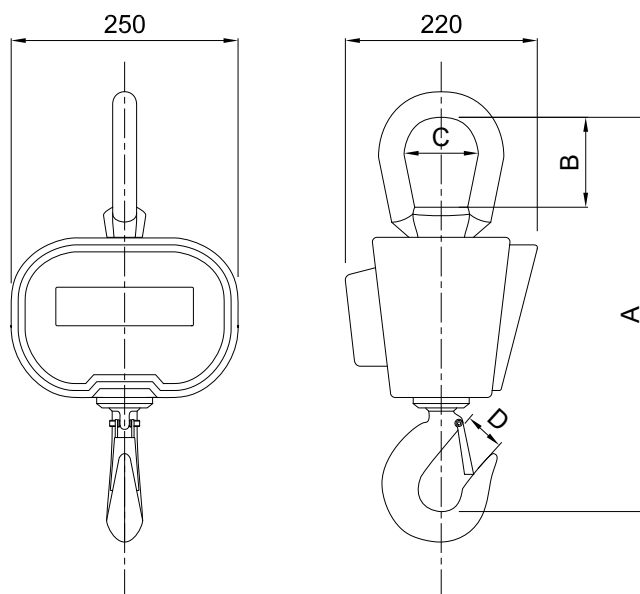
CODE



Linearity test

TARATURA

DIMENSIONS (mm)



mm	DTER3	DTER5
A	420	480
B	100	115
C	70	85
D	35	40

TECHNICAL FEATURES

Accuracy class (% of full scale)	± 0.03%
Safe overload (% of full scale)	150%
Ultimate overload (% of full scale)	400%
Humidity (condensate free)	10 ÷ 90%
Working temperature	-10°C +40°C



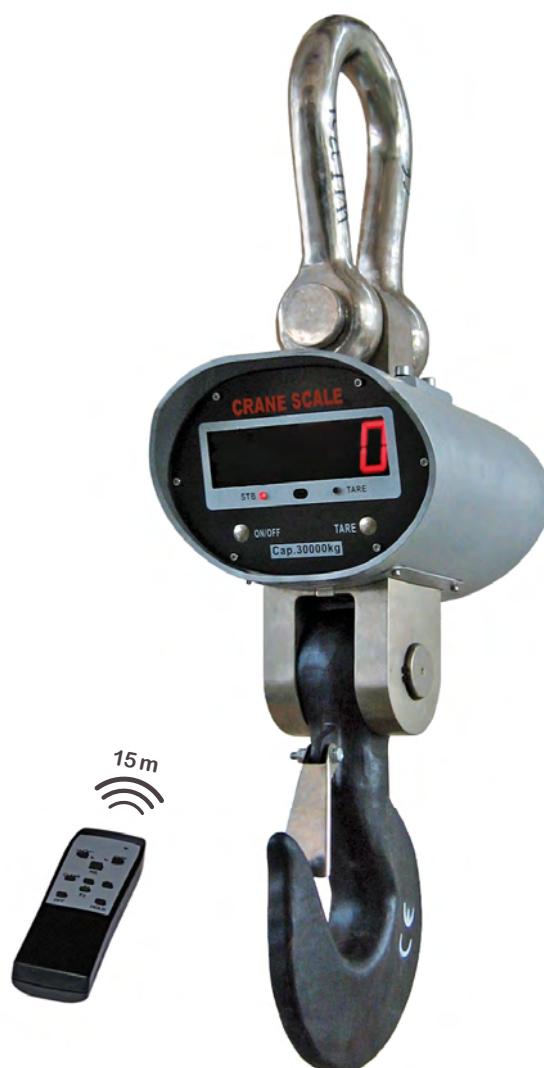
Capacity up to 30 tons

DESCRIPTION

- Die-cast aluminum crane scale complete with upper shackle and lower hook; suitable for bridge crane.
- 5-digit semi-alphanumeric red LED display (58 mm height).
- 2 signalling LED.
- IP64 protection rating.
- Brightness control.
- 6 V rechargeable internal battery, 10 Ah capacity.
- Operating time: 80 hours.
- External battery charger 230 VAC included.
- Remote control with range up to 15 m line of sight.

MAIN FUNCTIONS

- HOLD function (lock of the displayed weight).
- Number of weighed values and totalized weight value.
- Semi-automatic tare (net/gross weight) and preset tare.
- Weight zero setting.
- Tare weight zero setting.
- Units of measure setting: kg - lb.
- Energy saving mode.
- Auto power-off.



CAPACITY	kg	DIVISION	(kg)	NET WEIGHT	(kg)	CODE
30000		e=5		175		DTE30

CERTIFICATIONS

UKCA Equivalent of the CE marking for the United Kingdom

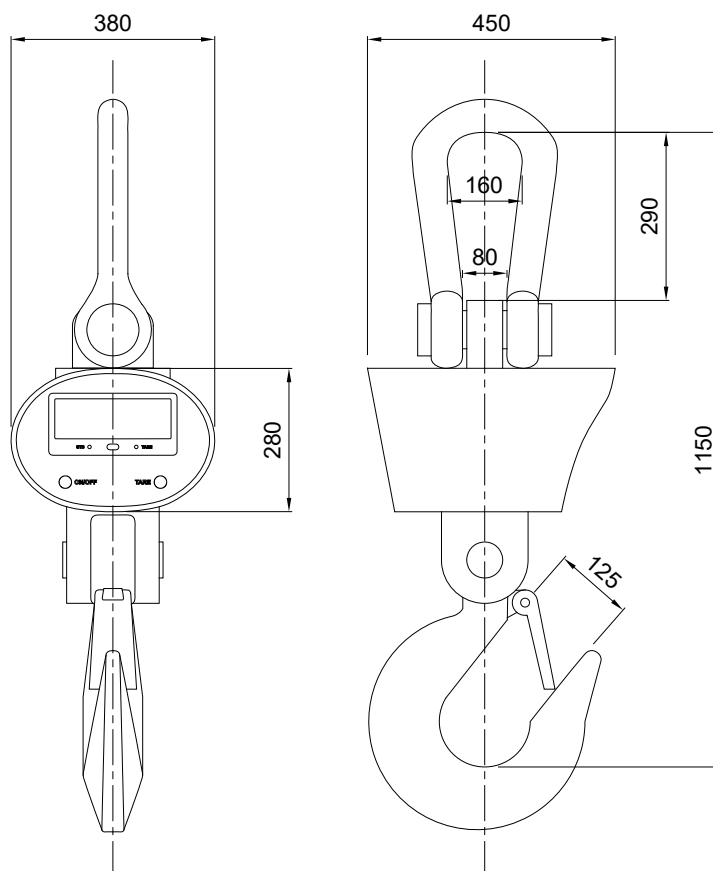
CERTIFICATIONS ON REQUEST

CODE

✓ Linearity test

TARATURA

DIMENSIONS (mm)



TECHNICAL FEATURES

Accuracy class (% of full scale)	$\pm 0.05\%$
Safe overload (% of full scale)	150%
Ultimate overload (% of full scale)	500%
Humidity (condensate free)	10÷90%
Working temperature	-10°C +40°C



Capacity up to 20 tons

DESCRIPTION

- Die-cast aluminum crane scale complete with upper shackle and lower hook; suitable for bridge crane.
- 5-digit semi-alphanumeric red LED display (30 mm height).
- 5/6 signalling LED.
- IP64 protection rating.
- Brightness control.
- DTEN500/1: 6 V rechargeable internal battery, 5 Ah capacity. Operating time: 80 hours.
- DTEN3/5/10/20: 6 V rechargeable internal battery, 10 Ah capacity. Operating time: 140 hours.
- External battery charger 230 VAC included.
- Remote control with range up to 10 m line of sight.

MAIN FUNCTIONS

- HOLD function (lock of the displayed weight).
- Number of weighed values and totalized weight value.
- Semi-automatic tare (net/gross weight) and preset tare.
- Weight zero setting.
- Tare weight zero setting.
- Storing of the number of overloadings.
- Reading division setting.
- Units of measure setting: kg - lb.
- Energy saving mode.
- Auto power-off.



CAPACITY	kg	DIVISION (kg)	NET WEIGHT (kg)	CODE
500		e=0.1	4.8	DTEN500
1000		e=0.2	4.8	DTEN1
3000		e=0.5	15.8	DTEN3
5000		e=1	23.2	DTEN5
10000		e=2	46	DTEN10
20000		e=5	75	DTEN20

CERTIFICATIONS

UK CA Equivalent of the CE marking for the United Kingdom

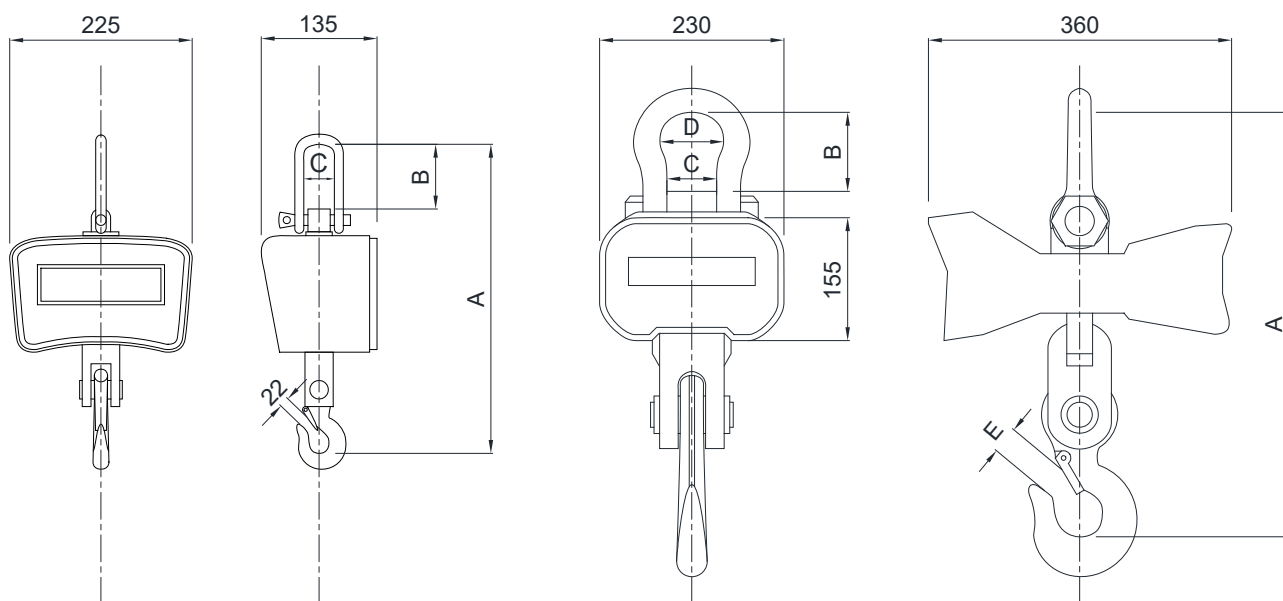
CERTIFICATIONS ON REQUEST

CODE

✓ Linearity test

TARATURA

DIMENSIONS (mm)






mm	DTEN500	DTEN1
A	375	375
B	85	85
C	25	25

mm	DTEN3	DTEN5	DTEN10	DTEN20
A	500	590	750	950
B	92	112	130	220
C	41	58	60	80
D	74	90	95	140
E	32	35	55	75

TECHNICAL FEATURES

Accuracy class (% of full scale)	$\pm 0.03\%$
Safe overload (% of full scale)	150%
Ultimate overload (% of full scale)	400%
Humidity (condensate free)	10÷90%
Working temperature	-10°C +40°C

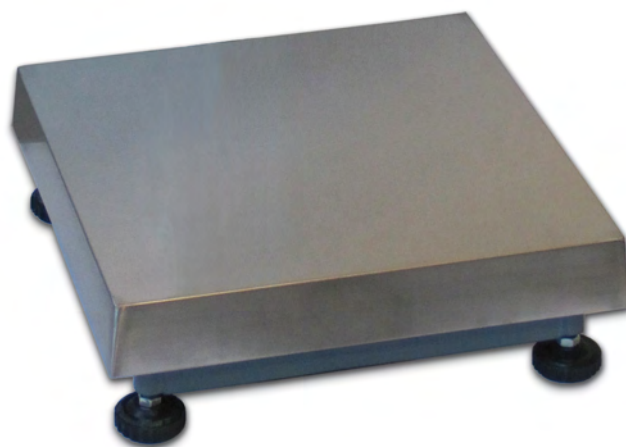
	CAPACITY	STRUCTURE	PAGE
C3.1 SINGLE CELL PLATFORMS			
	ACN Up to 600 kg OIML R60	Painted steel tubular structure 300x300 mm 400x400 mm 600x600 mm 800x800 mm	34
	AIN Up to 600 kg OIML R60	AISI 304 stainless steel tubular structure 300x300 mm 400x400 mm 600x600 mm 800x800 mm	36
	AILN Up to 300 kg OIML R60	AISI 304 stainless steel tubular structure 400x400 mm 600x600 mm	38
	MN Up to 300 kg OIML R60	Painted steel tubular structure 460x600 mm	40
C3.2 PLATFORMS WITH 4 LOAD CELLS			
	P-S5 Up to 1500 kg OIML R60	Painted steel structure 1250x1250 mm 1200x1500 mm 1500x1500 mm	42
	P Up to 3000 kg OIML R60		
	P-INOXN-S5 Up to 1500 kg OIML R60	AISI 304 stainless steel structure 1250x1250 mm 1500x1500 mm	44
	P-INOXN Up to 3000 kg OIML R60		
	PM Up to 1000 kg OIML R60	Ultra-light anodized aluminum structure 1200x1600 mm	46
	PO Up to 3000 kg OIML R60	AISI 304 stainless steel structure 800x800 mm 1000x1000 mm 1250x1250 mm 1500x1500 mm	48

	CAPACITY	STRUCTURE	PAGE
	C3.3 PALLET-WEIGHING WITH 4 LOAD CELLS		
	PX Up to 3000 kg OIML R60	Painted steel structure 1280x840 mm	50
	PXI Up to 3000 kg OIML R60	AISI 304 stainless steel structure 1280x840 mm	50
	C3.4 PALLET TRUCK SCALE		
	TP2500 Up to 2500 kg OIML R60	Painted steel structure 1155x560 mm	52

Area for handwritten notes with horizontal dotted lines.



Capacity up to 600 kg



- Painted steel tubular structure.
- AISI 304 stainless steel loading plate.
- Aluminum alloy IP65 load cell.
- Feet in galvanized steel and polyamide.
- Connection for indicator-holder column.

CAPACITY	kg	ACCURACY CLASS					DIMENSION (mm)	WEIGHT (kg)	CODE
		C3	C4						
6		•	–	•	•		300 x 300	6	ACN6
15		•	•	•	•		300 x 300	6	ACN15
30		•	•	•	•		300 x 300	6	ACN30
50		•	•	•	•		300 x 300	6	ACN50
60		•	•	•	•		400 x 400	8.5	ACN60
150		•	•	•	•		400 x 400	8.5	ACN120
60		•	•	–	•		600 x 600	24	ACN60L
150		•	•	–	•		600 x 600	24	ACN150
300		•	•	–	•		600 x 600	24	ACN300
600		•	•	–	•		800 x 800	48.5	ACN600

ON REQUEST

CERTIFICATIONS



OIML R60 C3



Equivalent of the CE marking for the United Kingdom

CERTIFICATIONS ON REQUEST



ATEX II 2GD (zone 1-2-21-22)



IECEx (zone 1-2-21-22)



OIML R60 C4

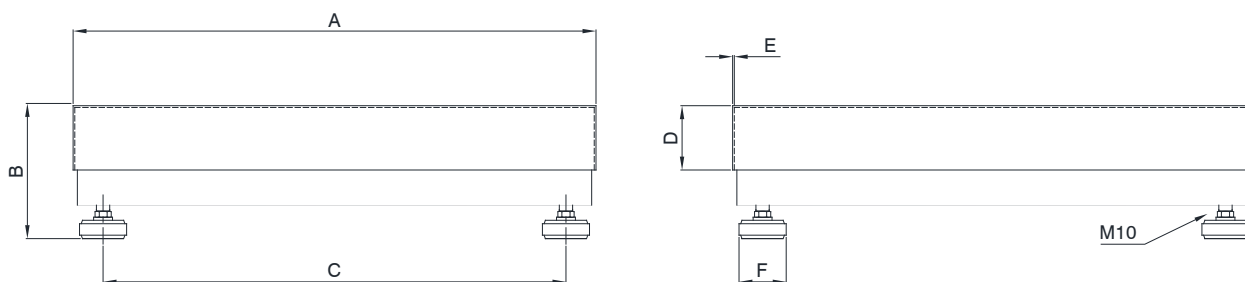


NTEP - compliant to the metrological standards of United States and Canada

ACN

SINGLE CELL PLATFORM WITH STAINLESS STEEL LOADING PLATE

DIMENSIONS (mm)



Code	Load cells capacities	Platforms	A	B	C	D	E	F	Gross Weight
ACN6 / 15 / 30 / 50	AZL 10 / 20 / 50 / 100 kg	300 x 300 mm	300	125	237	53	1.5	60	6 kg
ACN60 / 120	AM 100 / 200 kg	400 x 400 mm	400	145	337	60	1.5	60	8.5 kg
ACN60L / 150 / 300	APL 100 / 200 / 500 kg	600 x 600 mm	600	160	537	70	1.5	60	24 kg
ACN600	ATL 1000 kg	800 x 800 mm	800	170	715	90	1.5	60	48.5 kg

ELECTRICAL CONNECTIONS

	ACN 6 ÷ 120	ACN 60L/150/300	ACN 600
SHIELD			
+ SIGNAL	GREEN	GREEN	BLUE
+ EXCITATION ■ + REF./SENSE	RED BLUE	RED BLUE	RED BROWN
- SIGNAL	WHITE	WHITE	WHITE
- EXCITATION ■ - REF./SENSE	BLACK BROWN	BLACK YELLOW	YELLOW BLACK

■ where provided



OPTIONS ON REQUEST

	DESCRIPTION	CODE
	Stainless steel indicator-holder column (Ø38 mm, height 700 mm). Painted steel bracket for platform mounting.	COLONNAM + STAFFACN
	Non-standard capabilities.	

The Company reserves the right to make changes to the technical data, drawings and images without notice.

AIN

STAINLESS STEEL SINGLE CELL PLATFORM

LAUMAS®


Capacity up to 600 kg



- AISI 304 stainless steel tubular structure.
- AISI 304 stainless steel loading plate.
- Aluminum alloy IP65 load cell.
- Feet in stainless steel and polyamide.
- Connection for indicator-holder column.



LOAD CELL PROTECTION KIT
included for capacities from 60 to 300 kg

CAPACITY	kg	ACCURACY CLASS					DIMENSION (mm)	WEIGHT (kg)	CODE
		C3	C4						
6		•	–	•	•		300 x 300	6.5	AIN6
15		•	•	•	•		300 x 300	6.5	AIN15
30		•	•	•	•		300 x 300	6.5	AIN30
50		•	•	•	•		300 x 300	6.5	AIN50
60		•	•	•	•		400 x 400	9.5	AIN60
150		•	•	•	•		400 x 400	9.5	AIN120
60		•	•	–	•		600 x 600	24.5	AIN60L
150		•	•	–	•		600 x 600	24.5	AIN150
300		•	•	–	•		600 x 600	24.5	AIN300
600		•	•	–	•		800 x 800	50.5	AIN600

ON REQUEST

CERTIFICATIONS



OIML R60 C3



Equivalent of the CE marking for the United Kingdom

CERTIFICATIONS ON REQUEST



ATEX II 2GD (zone 1-2-21-22)



IECEx (zone 1-2-21-22)



OIML R60 C4

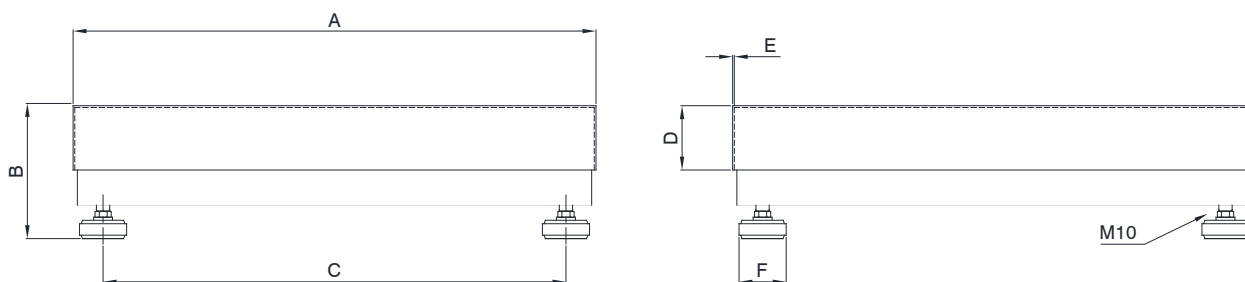


NTEP - compliant to the metrological standards of United States and Canada

AIN

STAINLESS STEEL SINGLE CELL PLATFORM

DIMENSIONS (mm)



Code	Load cells capacities	Platforms	A	B	C	D	E	F	Gross Weight
AIN6 / 15 / 30 / 50	AZL 10 / 20 / 50 / 100 kg	300 x 300 mm	300	125	237	53	1.5	60	6.5 kg
AIN60 / 120	AM 100 / 200 kg	400 x 400 mm	400	145	337	60	1.5	60	9.5 kg
AIN60L / 150 / 300	APL 100 / 200 / 500 kg	600 x 600 mm	600	160	537	70	1.5	60	24.5 kg
AIN600	ATL 1000 kg	800 x 800 mm	800	170	715	90	1.5	60	50.5 kg

ELECTRICAL CONNECTIONS

	AIN 6÷120	AIN 60L/150/300	AIN 600
SHIELD			
+ SIGNAL	GREEN	GREEN	BLUE
+ EXCITATION ■ + REF./SENSE	RED BLUE	RED BLUE	RED BROWN
- SIGNAL	WHITE	WHITE	WHITE
- EXCITATION ■ - REF./SENSE	BLACK BROWN	BLACK YELLOW	YELLOW BLACK

■ where provided



OPTIONS ON REQUEST

	DESCRIPTION	CODE
	Stainless steel indicator-holder column (Ø38 mm, height 700 mm). Stainless steel bracket for platform mounting.	COLONNAM + STAFFAIN
	Non-standard capabilities.	

The Company reserves the right to make changes to the technical data, drawings and images without notice.

AILN

STAINLESS STEEL IP68 SINGLE CELL PLATFORM

LAUMAS®


Capacity up to 300 kg



- AISI 304 stainless steel tubular structure.
- AISI 304 stainless steel loading plate.
- Welded stainless steel IP68 load cell (on request: IP69K).
- Feet in stainless steel and polyamide.
- Connection for indicator-holder column.

CAPACITY	kg	ACCURACY CLASS					DIMENSION (mm)	NET WEIGHT (kg)	CODE
		C3	C4						
15		•	•	•	•		400 x 400	11.5	AILN15
30		•	•	•	•		400 x 400	11.5	AILN30
60		•	–	•	•		400 x 400	13.3	AILN60
150		•	–	•	•		400 x 400	13.3	AILN150
200		•	–	•	•		600 x 600	24.5	AILN200
300		•	–	•	•		600 x 600	24.5	AILN300

ON REQUEST

CERTIFICATIONS



OIML R60 C3



Equivalent of the CE marking for the United Kingdom

CERTIFICATIONS ON REQUEST



IP69K

Declaration of conformity + IP69K marking protection rating

Water protection in case of high-pressure or steam jet cleaning (test: pressurized water is sprayed from a distance of max 150 mm)
Water pressure: 100 bar; temperature: 80 °C; test duration: 250 seconds (reference standard: DIN 40050-9)



ATEX II 2GD (zone 1-2-21-22)



IECEx (zone 1-2-21-22)



OIML R60 C4



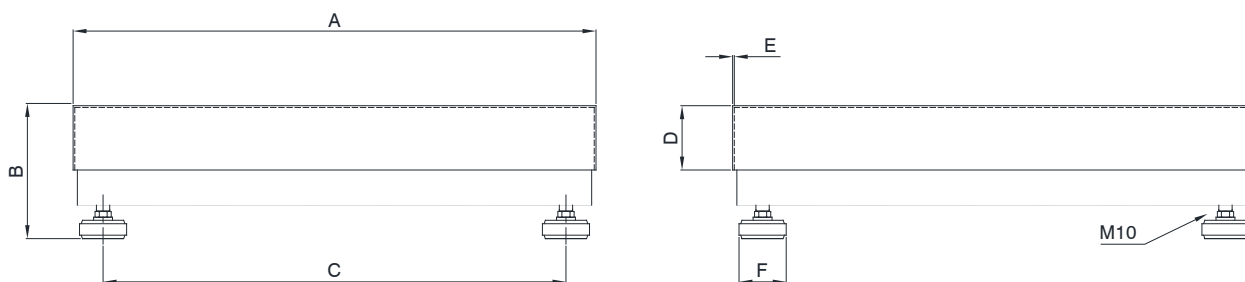
NTEP - compliant to the metrological standards of United States and Canada

AILN

STAINLESS STEEL IP68 SINGLE CELL PLATFORM

LAUMAS®

DIMENSIONS (mm)



Code	Load cells capacities	Platforms	A	B	C	D	E	F	Gross Weight
AILN15 / 30	AZLI 20 / 50 kg	400 x 400 mm	400	145	337	60	1.5	60	11.5 kg
AILN60 / 150	AZLI 100 / 200 kg	400 x 400 mm	400	155	337	60	1.5	60	13.3 kg
AILN200 / 300	AZLI 300 / 500 kg	600 x 600 mm	600	160	537	70	1.5	60	24.5 kg



ELECTRICAL CONNECTIONS

Terminal	Color	Color
SHIELD		
+ SIGNAL	WHITE	GREEN
+ EXCITATION	GREEN	RED
+ REF./SENSE	YELLOW	BLUE
- SIGNAL	RED	WHITE
- EXCITATION	BLACK	BLACK
- REF./SENSE	BLUE	YELLOW

■ where provided



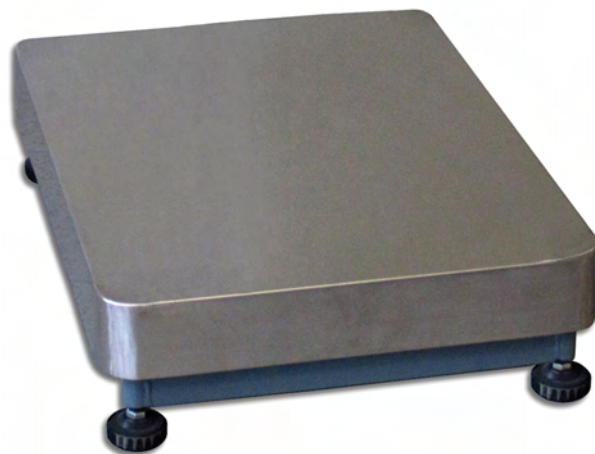
OPTIONS ON REQUEST

DESCRIPTION	CODE
 <p>Stainless steel indicator-holder column (Ø38 mm, height 700 mm). Stainless steel bracket for platform mounting.</p>	COLONNAM + STAFFAIN
 <p>Non-standard capabilities.</p>	




The Company reserves the right to make changes to the technical data, drawings and images without notice.



Capacity up to 300 kg



- Painted steel tubular structure.
- AISI 304 stainless steel loading plate.
- Aluminum alloy IP65 load cell.
- Feet in galvanized steel and polyamide.
- Connection for indicator-holder column.

CAPACITY	kg	ACCURACY CLASS		 	DIMENSION (mm)	WEIGHT (kg)	CODE
		C3	C4				
75		•	–	•	460 x 600	23	MN75
150		•	•	•	460 x 600	23	MN150
300		•	•	•	460 x 600	23	MN300
		 ON REQUEST					

CERTIFICATIONS



OIML R60 C3



Equivalent of the CE marking for the United Kingdom

CERTIFICATIONS ON REQUEST



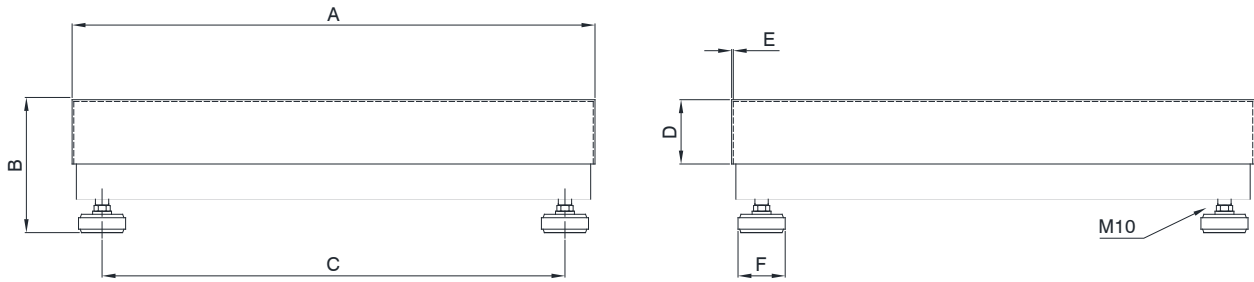
ATEX II 2GD (zone 1-2-21-22)



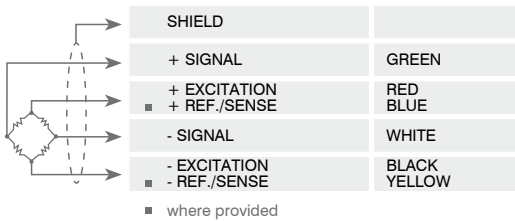
IECEx (zone 1-2-21-22)



OIML R60 C4

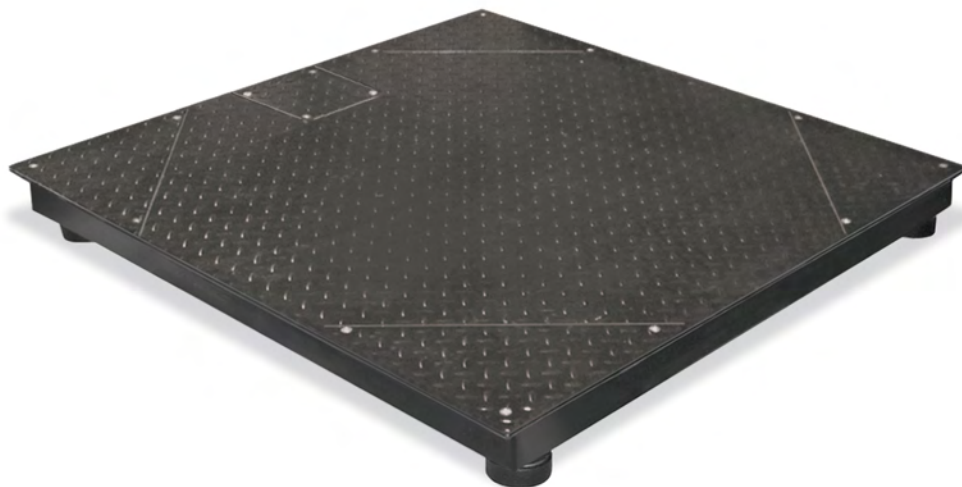
DIMENSIONS (mm)

Code	Load cells capacities	Platforms (A)	B	C	D	E	F	Gross Weight
MN75	APL 100 kg	460 x 600 mm	150	397 x 542 mm	64	1.5	60	23 kg
MN150	APL 200 kg							
MN300	APL 500 kg							

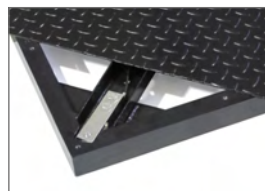
ELECTRICAL CONNECTIONS**OPTIONS ON REQUEST**

	DESCRIPTION	CODE
	Stainless steel indicator-holder column (Ø38 mm, height 700 mm). Painted steel bracket for platform mounting.	COLONNAM + STAFFACN
	Non-standard capabilities.	

The Company reserves the right to make changes to the technical data, drawings and images without notice.

P / P-S5**PAINTED STEEL PLATFORM - 4 LOAD CELLS IP68****LAUMAS®****Capacity up to 3000 kg**

- Painted steel platform.
- **P**: 4 load cells FTP 1000 kg
P-S5: 4 load cells FTP 500 kg
AISI 420 stainless steel - IP68 (on request: IP69K).
- IP67 stainless steel junction box with equalization board and 6-wire output cable (length: 5 m).
- Inspectable compartments for load cells and junction box.
- Galvanized steel adjustable feet, self-centering on sphere.
- Two M12 holes for lifting eyebolts.



CAPACITY	kg	ACCURACY CLASS C3		DIMENSION (mm)	WEIGHT (kg)	CODE
1500		•	•	1250 x 1250	117	P1250S5
1500		•	•	1200 x 1500	131	P1200P1500S5
1500		•	•	1500 x 1500	156	P1500S5
3000		•	•	1250 x 1250	117	P1250
3000		•	•	1200 x 1500	131	P1200P1500
3000		•	•	1500 x 1500	156	P1500

ON REQUEST

CERTIFICATIONS

OIML R60 C3



Equivalent of the CE marking for the United Kingdom

CERTIFICATIONS ON REQUEST

IP69K

Declaration of conformity + IP69K marking protection rating

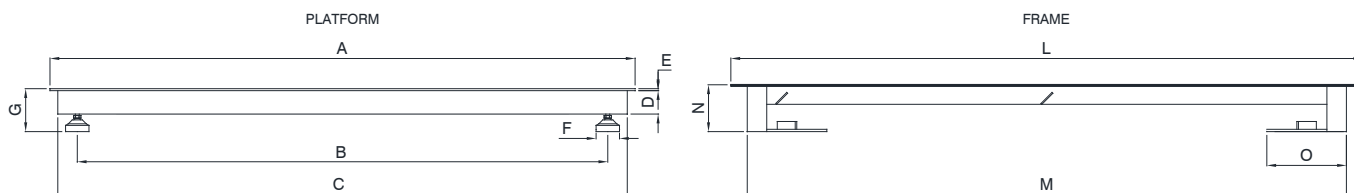
Water protection in case of high-pressure or steam jet cleaning (test: pressurized water is sprayed from a distance of max 150 mm)
Water pressure: 100 bar; temperature: 80 °C; test duration: 250 seconds (reference standard: DIN 40050-9)



ATEX II 2GD (zone 1-2-21-22)



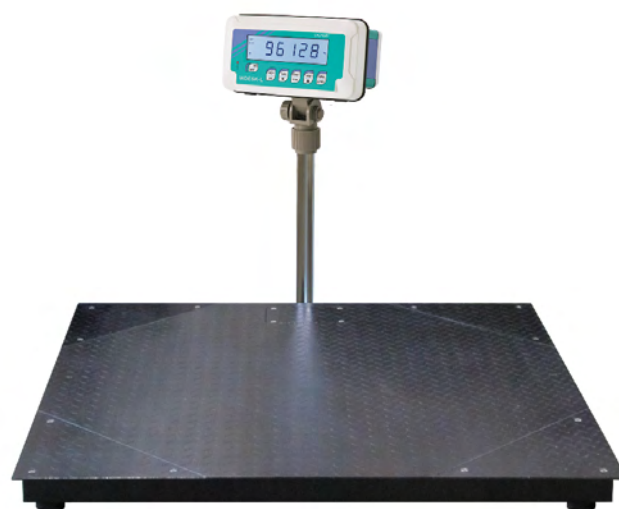
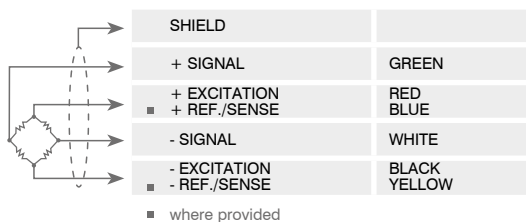
IECEx (zone 1-2-21-22)

DIMENSIONS (mm)**PLATFORM**

Code	Load cells capacities	Code	Load cells capacities	A	B	C	D	E	F	G
P1250S5	500 kg	P1250	1000 kg	1250 x 1250	1112	1210	60	4	60	90
P1200P1500S5	500 kg	P1200P1500	1000 kg	1200 x 1500	1074 x 1352	1160 x 1460	60	4	60	÷
P1500S5	500 kg	P1500	1000 kg	1500 x 1500	1362	1460	60	4	60	105

FRAME

Code	L	M	N	O	Gross weight
TELP1250N	1366 x 1366	1272 x 1272	110	200	30 kg
TELP1200P1500N	1316 x 1616	1222 x 1522	110	200	33 kg
TELP1500N	1616 x 1616	1522 x 1522	110	200	36 kg

ELECTRICAL CONNECTIONS**OPTIONS ON REQUEST**

	DESCRIPTION	CODE
	Galvanized steel pit frame with centering plates. For platforms: 1250x1250 mm 1200x1500 mm 1500x1500 mm	TELP1250N TELP1200P1500N TELP1500N
	Painted steel access ramp. Dimensions: 1250x1060x110 mm 1500x1060x110 mm	P1250RAMP P1500RAMP
	Stainless steel indicator-holder column (Ø38 mm, height 700 mm). Painted steel bracket for floor mounting.	COLONNAM + STAFFACN
	AISI 304 stainless steel constraint against lateral displacement and overturning (1 piece).	PPV
	Non-standard capabilities.	

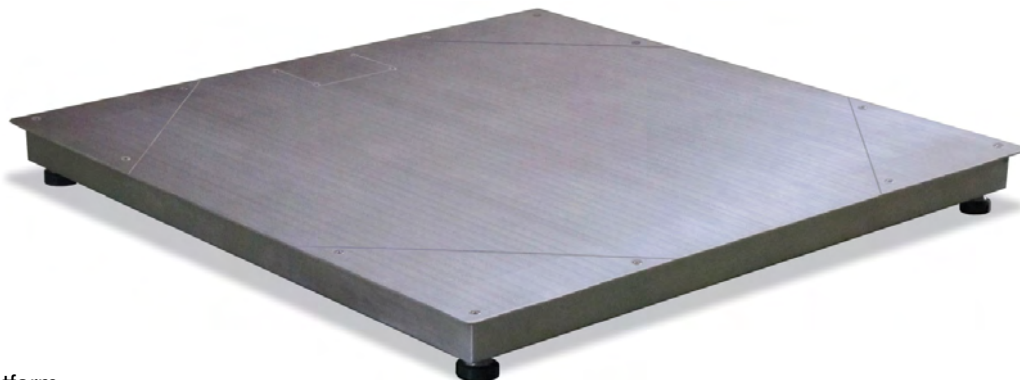
P-INOXN / P-INOXN-S5

STAINLESS STEEL PLATFORM - 4 LOAD CELLS IP68

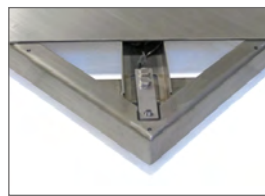
LAUMAS®



Capacity up to 3000 kg



- AISI 304 stainless steel platform.
- **P-INOXN**: 4 load cells FT-P 1000 kg
P-INOXN-S5: 4 load cells FT-P 500 kg
17-4 PH stainless steel - IP68 (on request: IP69K).
- IP67 stainless steel junction box with equalization board and 6-wire output cable (length: 5 m).
- Inspectable compartments for load cells and junction box.
- AISI 304 stainless steel adjustable feet, self-centering on sphere.
- Two M12 holes for lifting eyebolts.



CAPACITY	kg	ACCURACY CLASS C3		DIMENSION (mm)	WEIGHT (kg)	CODE
1500		•	•	1250 x 1250	117	P1250INOXNS5
1500		•	•	1500 x 1500	156	P1500INOXNS5
3000		•	•	1250 x 1250	117	P1250INOXN
3000		•	•	1500 x 1500	156	P1500INOXN

ON REQUEST

CERTIFICATIONS



OIML R60 C3



Equivalent of the CE marking for the United Kingdom

CERTIFICATIONS ON REQUEST



IP69K

Declaration of conformity + IP69K marking protection rating

Water protection in case of high-pressure or steam jet cleaning (test: pressurized water is sprayed from a distance of max 150 mm)
Water pressure: 100 bar; temperature: 80 °C; test duration: 250 seconds (reference standard: DIN 40050-9)



ATEX II 2GD (zone 1-2-21-22)

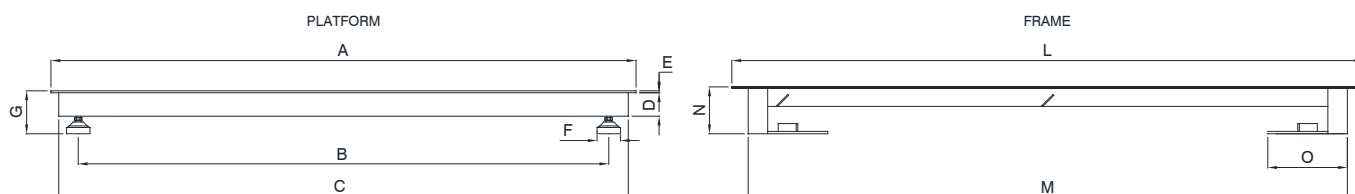


IECEx (zone 1-2-21-22)

P-INOXN / P-INOXN-S5

STAINLESS STEEL PLATFORM - 4 LOAD CELLS IP68

DIMENSIONS (mm)



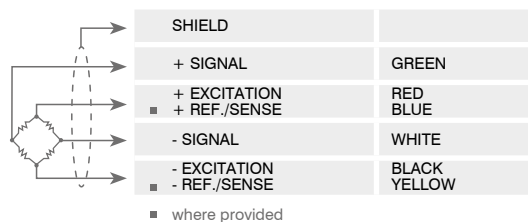
PLATFORM

Code	Load cells capacities	Code	Load cells capacities	A	B	C	D	E	F	G
P1250INOXNS5	500 kg	P1250INOXN	1000 kg	1250 x 1250	1112	1210	60	4	60	90 ± 105
P1500INOXNS5	500 kg	P1500INOXN	1000 kg	1500 x 1500	1362	1460	60	4	60	90 ± 105

FRAME

Code	L	M	N	O	Gross weight
TELP1250INOXN	1366 x 1366	1272 x 1272	110	200	30 kg
TELP1500INOXN	1616 x 1616	1522 x 1522	110	200	36 kg

ELECTRICAL CONNECTIONS



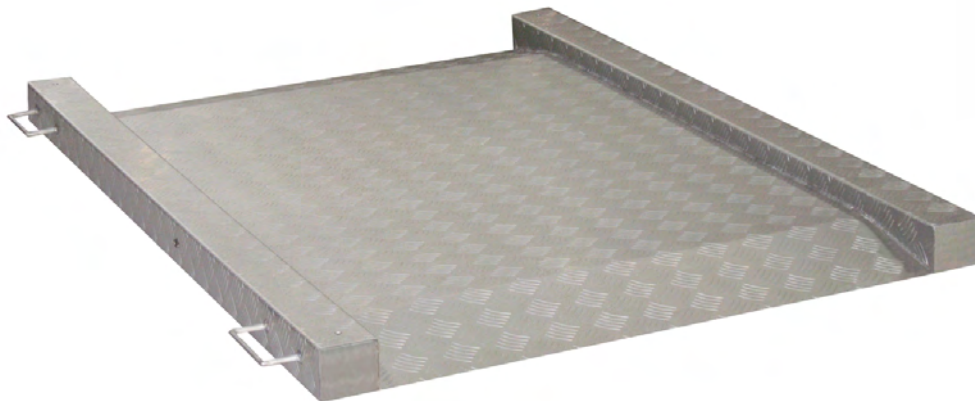
OPTIONS ON REQUEST

	DESCRIPTION	CODE
	AISI 304 stainless steel pit frame with centering plates. For platforms: 1250x1250 mm 1500x1500 mm	TELP1250INOXN TELP1500INOXN
	Stainless steel access ramp. Dimensions: 1250x1060x110 mm	P1250INOXRAMP
	Stainless steel indicator-holder column (Ø38 mm, height 700 mm). Stainless steel bracket for floor mounting.	COLONNAM + STAFFAIN
	AISI 304 stainless steel constraint against lateral displacement and overturning (1 piece).	PPV
	Non-standard capabilities.	

The Company reserves the right to make changes to the technical data, drawings and images without notice.



Capacity 1000 kg



- Ultra-light anodized aluminum platform.
- Integrated ramps and sideguards.
- 4 load cells FTP 500 kg
AISI 420 stainless steel - IP68 (on request: IP69K).
- IP67 stainless steel junction box with equalization board and 6-wire output cable (length: 5 m).
- Galvanized steel adjustable feet, self-centering on sphere.
- Carrying handles and wheels.



CAPACITY	kg	ACCURACY CLASS C3		DIMENSION (mm)	WEIGHT (kg)	CODE
1000		•	•	1200 x 1600	55	PM1000

□
ON REQUEST

CERTIFICATIONS



OIML R60 C3



Equivalent of the CE marking for the United Kingdom

CERTIFICATIONS ON REQUEST



IP69K

Declaration of conformity + IP69K marking protection rating

Water protection in case of high-pressure or steam jet cleaning (test: pressurized water is sprayed from a distance of max 150 mm)
Water pressure: 100 bar; temperature: 80 °C; test duration: 250 seconds (reference standard: DIN 40050-9)

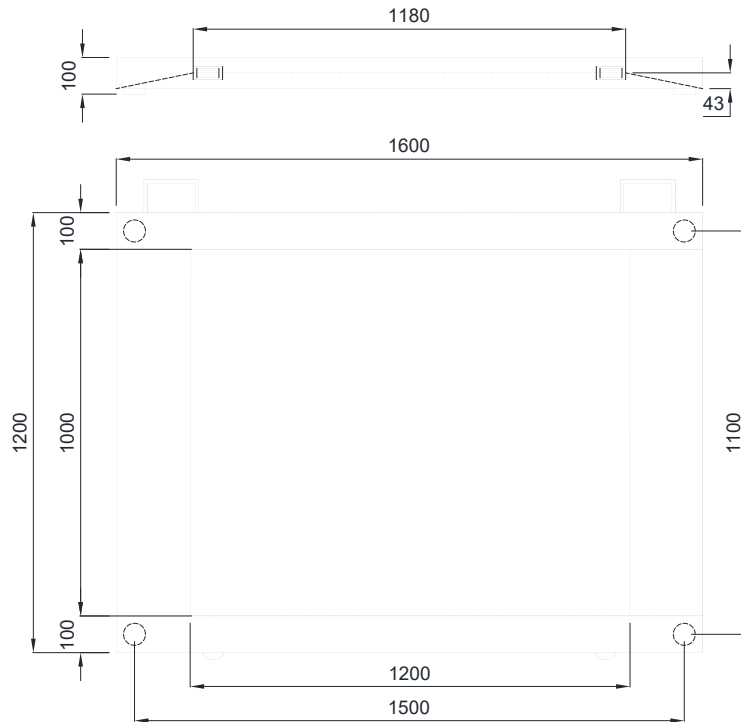


ATEX II 2GD (zone 1-2-21-22)

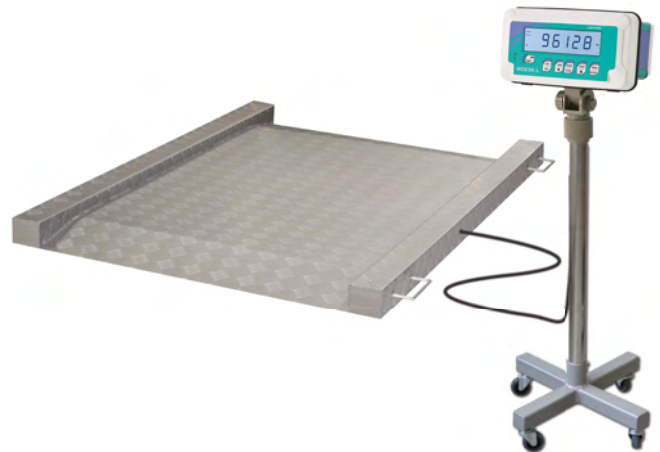
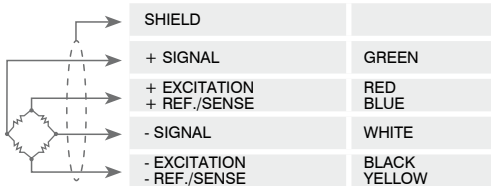


IECEx (zone 1-2-21-22)

DIMENSIONS (mm)



ELECTRICAL CONNECTIONS



OPTIONS ON REQUEST

	DESCRIPTION	CODE
	Stainless steel indicator-holder column (Ø38 mm, height 700 mm). Painted steel mobile pedestal.	COLONNAM + MOBILCOLONNA COLONNAM + MOBILCOLONNAINOX
	Non-standard capabilities.	

The Company reserves the right to make changes to the technical data, drawings and images without notice.



Capacity up to 3000 kg

- AISI 304 stainless steel platform with tipper loading plate.
- 4 load cells FT-P 500 kg or FT-P 1000 kg
17-4 PH stainless steel - IP68 (on request: IP69K).
- IP67 stainless steel junction box with equalization board and 6-wire output cable (length: 5 m).
- AISI 304 stainless steel adjustable feet, self-centering on sphere.
- 4 lifting lugs.



CAPACITY	kg	ACCURACY CLASS C3		DIMENSION (mm)	WEIGHT (kg)	CODE
600		•	•	800 x 800	68	PO800I600
600		•	•	1000 x 1000	87	PO1000I600
1500		•	•	1000 x 1000	87	PO1000I1500
1500		•	•	1250 x 1250	127	PO1250I1500
1500		•	•	1500 x 1500	167	PO1500I1500
3000		•	•	1250 x 1250	127	PO1250I3000
3000		•	•	1500 x 1500	167	PO1500I3000

ON REQUEST

CERTIFICATIONS



OIML R60 C3



Equivalent of the CE marking for the United Kingdom

CERTIFICATIONS ON REQUEST



IP69K

Declaration of conformity + IP69K marking protection rating

Water protection in case of high-pressure or steam jet cleaning (test: pressurized water is sprayed from a distance of max 150 mm)
Water pressure: 100 bar; temperature: 80 °C; test duration: 250 seconds (reference standard: DIN 40050-9)

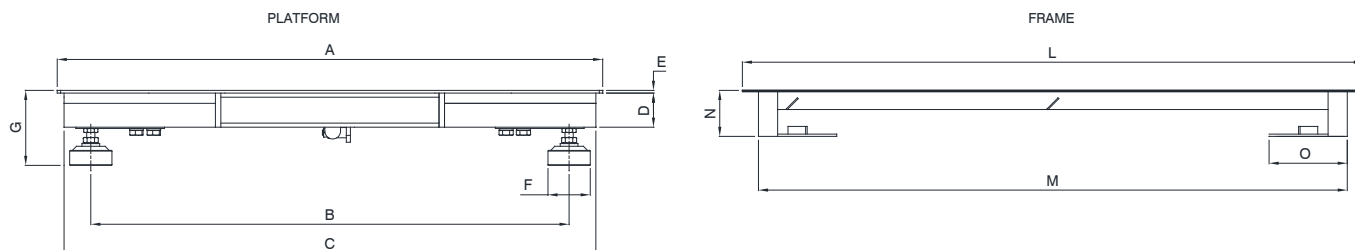


ATEX II 2GD (zone 1-2-21-22)



IECEx (zone 1-2-21-22)

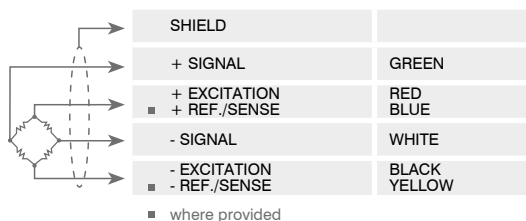
DIMENSIONS (mm)





Code	Platform capacity	A	B	C	D	E	F	G
PO800I600	600 kg	800 x 800	660 x 662	780 x 760	50	5	60	90÷110
PO1000I600	600 kg	1000 x 1000	860 x 862	980 x 960	50	5	60	90÷110
PO1000I1500	1500 kg	1000 x 1000	860 x 862	980 x 960	50	5	60	90÷110
PO1250I1500	1500 kg	1250 x 1250	1110 x 1112	1230 x 1210	50	5/6	60	90÷110
PO1250I3000	3000 kg	1250 x 1250	1110 x 1112	1230 x 1210	50	5/6	60	90÷110
PO1500I1500	1500 kg	1500 x 1500	1360 x 1362	1480 x 1460	50	5/6	60	90÷110
PO1500I3000	3000 kg	1500 x 1500	1360 x 1362	1480 x 1460	50	5/6	60	90÷110

Code	L	M	N	O	Gross weight
TELP800INOXN	916 x 916	822 x 822	110	200	30 kg
TELP1000INOXN	1116 x 1116	1022 x 1022	110	200	33 kg
TELP1250INOXN	1366 x 1366	1272 x 1272	110	200	33 kg
TELP1500INOXN	1616 x 1616	1522 x 1522	110	200	36 kg

ELECTRICAL CONNECTIONS



OPTIONS ON REQUEST

DESCRIPTION	CODE
 <p>AISI 304 stainless steel pit frame with centering plates. For platforms:</p> <p>800x800 mm</p> <p>1000x1000 mm</p> <p>1250x1250 mm</p> <p>1500x1500 mm</p>	<p>TELP800INOXN</p> <p>TELP1000INOXN</p> <p>TELP1250INOXN</p> <p>TELP1500INOXN</p>
 <p>Stainless steel indicator-holder column (Ø38 mm, height 700 mm). Stainless steel bracket for floor mounting.</p>	<p>COLONNAM + STAFFAIN</p>

The Company reserves the right to make changes to the technical data, drawings and images without notice.

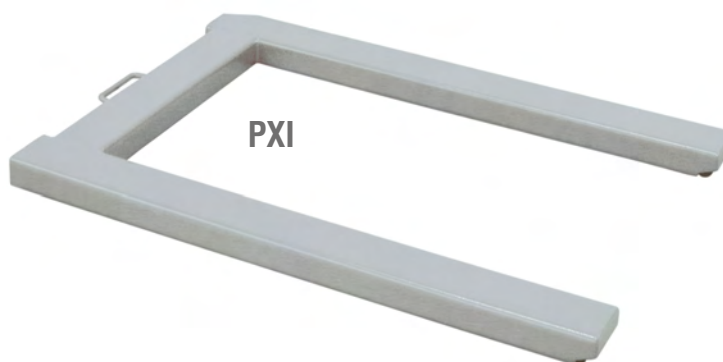
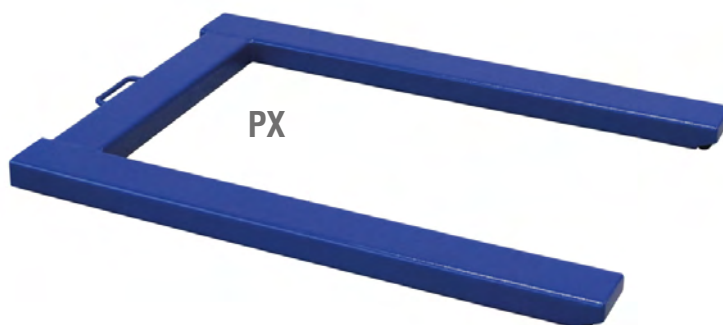
PX-I

PALLET SCALE - 4 LOAD CELLS IP68

LAUMAS®


Capacity up to 3000 kg

- **PX:**
 - Painted steel structure.
 - 4 load cells FTP 1000 kg
AISI 420 stainless steel - IP68 (on request: IP69K).
 - Galvanized steel adjustable feet, self-centering on sphere.
- **PXI:**
 - AISI 304 stainless steel structure.
 - 4 load cells FT-P 1000 kg
17-4 PH stainless steel - IP68 (on request: IP69K).
 - AISI 304 stainless steel adjustable feet, self-centering on sphere.
- IP67 stainless steel junction box with equalization board and 6-wire output cable (length: 5 m).
- Carrying handle and wheels.



CAPACITY	kg	ACCURACY CLASS C3		DIMENSION (mm)	NET WEIGHT (kg)	CODE
3000		•	•	1250 x 840	38	PX
3000		•	•	1250 x 840	38	PXI

ON REQUEST

CERTIFICATIONS



OIML R60 C3



Equivalent of the CE marking for the United Kingdom

CERTIFICATIONS ON REQUEST



IP69K

Declaration of conformity + IP69K marking protection rating

Water protection in case of high-pressure or steam jet cleaning (test: pressurized water is sprayed from a distance of max 150 mm)
Water pressure: 100 bar; temperature: 80 °C; test duration: 250 seconds (reference standard: DIN 40050-9)



ATEX II 2GD (zone 1-2-21-22)

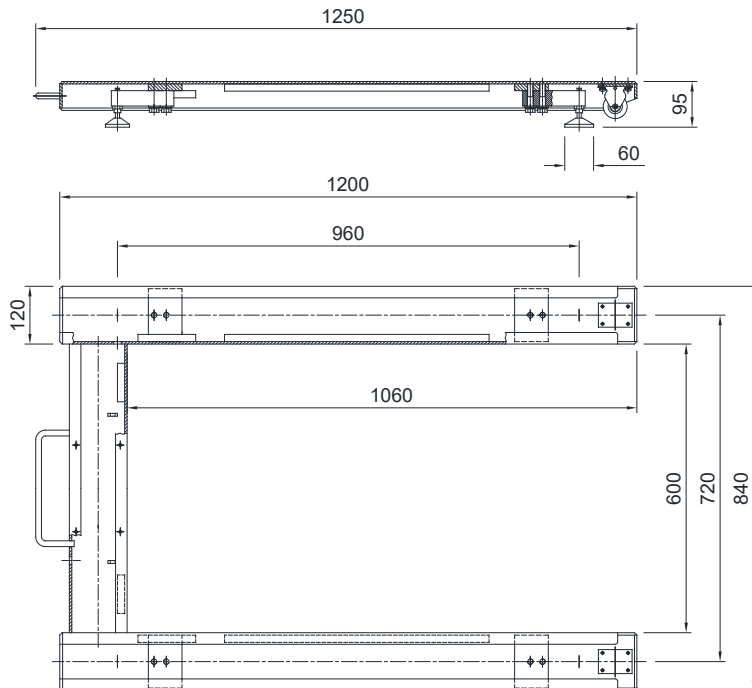


IECEx (zone 1-2-21-22)

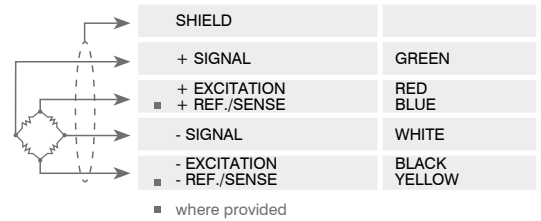
PX-I

PALLET SCALE - 4 LOAD CELLS IP68

DIMENSIONS (mm)



ELECTRICAL CONNECTIONS



OPTIONS ON REQUEST

	DESCRIPTION	CODE
	Stainless steel indicator-holder column (Ø38 mm, height 700 mm). Painted steel mobile pedestal.	COLONNAM + MOBILCOLONNA COLONNAM + MOBILCOLONNAINOX
	Non-standard capabilities.	

The Company reserves the right to make changes to the technical data, drawings and images without notice.

TP2500

PALLET TRUCK SCALE

LAUMAS®


Capacity up to 2500 kg



CAPACITY	kg	OIML	FORKS DIMENSIONS (mm)	NET WEIGHT (kg)	CODE
2500		-	1155 x 560 mm	118	TP2500
2500		R76 C3	1155 x 560 mm	118	TP2500M

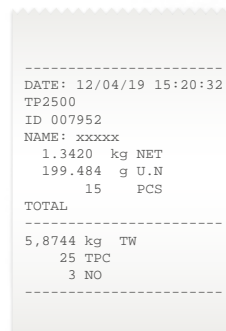
DESCRIPTION

- Pallet truck scale with integrated weighing system.
- Legal for trade use CE-M approved versions, class III, with CE marking and conformity assessment (initial verification) according to 2014/31/UE, EN 45501, OIML R76.
- High strength steel forks (thickness: 4 mm).
- WDESKL weight indicator, IP67 protection rating (to know the functions and technical features of the instrument, refer to the dedicated data sheet).
- 4 load cells FTP 1000 kg
AISI 420 stainless steel - IP68 (on request: IP69K).
- Rubber steering wheels (Ø200 mm) and polyurethane fork roller.
- 12 V rechargeable battery, 7 Ah capacity, supplied already installed inside the column of the pallet truck scale. Operating time: 16 hours.
- Power supply included.
- Switch inclinometer included in the approved version, maximum inclination: 3.5%.

MAIN FUNCTIONS

- Net/gross weight.
- Piece counting.
- Weight totalizing.
- Non-fiscal receipt printing via integrated thermal printer (option on request).




Printout example refers to the integrated printer.



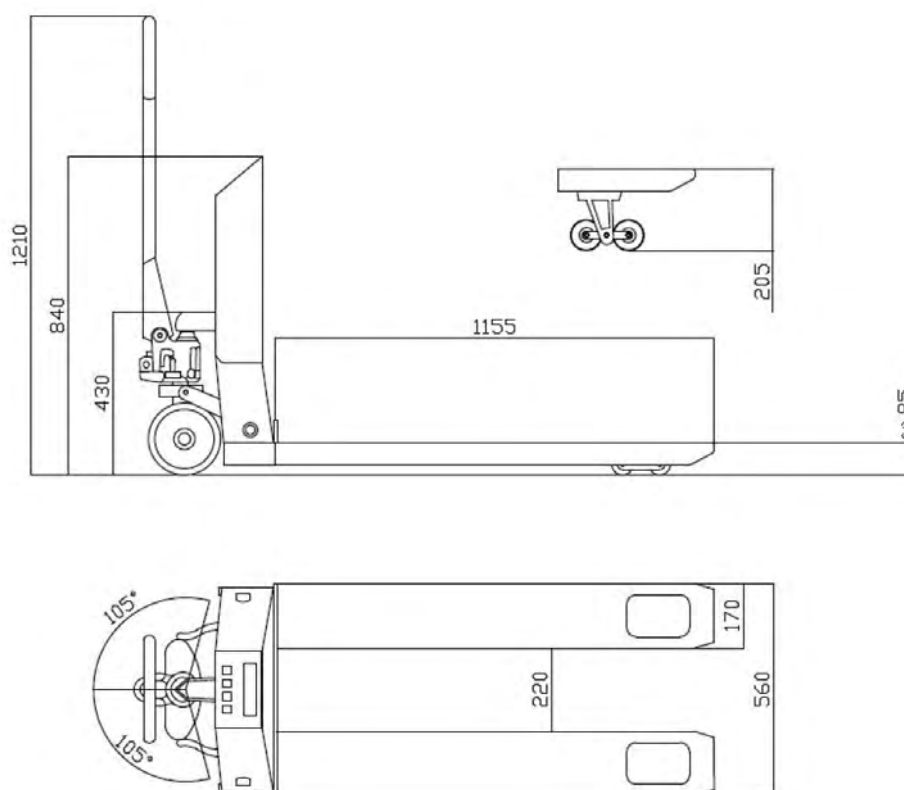
TP2500

PALLET TRUCK SCALE



CERTIFICATIONS

-  OIML R76:2006, class III, 3000 divisions
-  Equivalent of the CE marking for the United Kingdom
-  Conformity assessment (initial verification)

DIMENSIONS (mm)




OPTIONS ON REQUEST

	DESCRIPTION	CODE
	Integrated thermal printer: 24 columns, paper end sensor and head temperature sensor, energy saving mode, operating temperature: $-20 \div 70$ °C, operating humidity: 20%÷80%, paper roll included (width: 58 mm - grammage: 55÷70 g/m ² - outside diameter: 50 mm).	OPZTPSTA
	Alibi memory.	OPZWALIBI

The Company reserves the right to make changes to the technical data, drawings and images without notice.

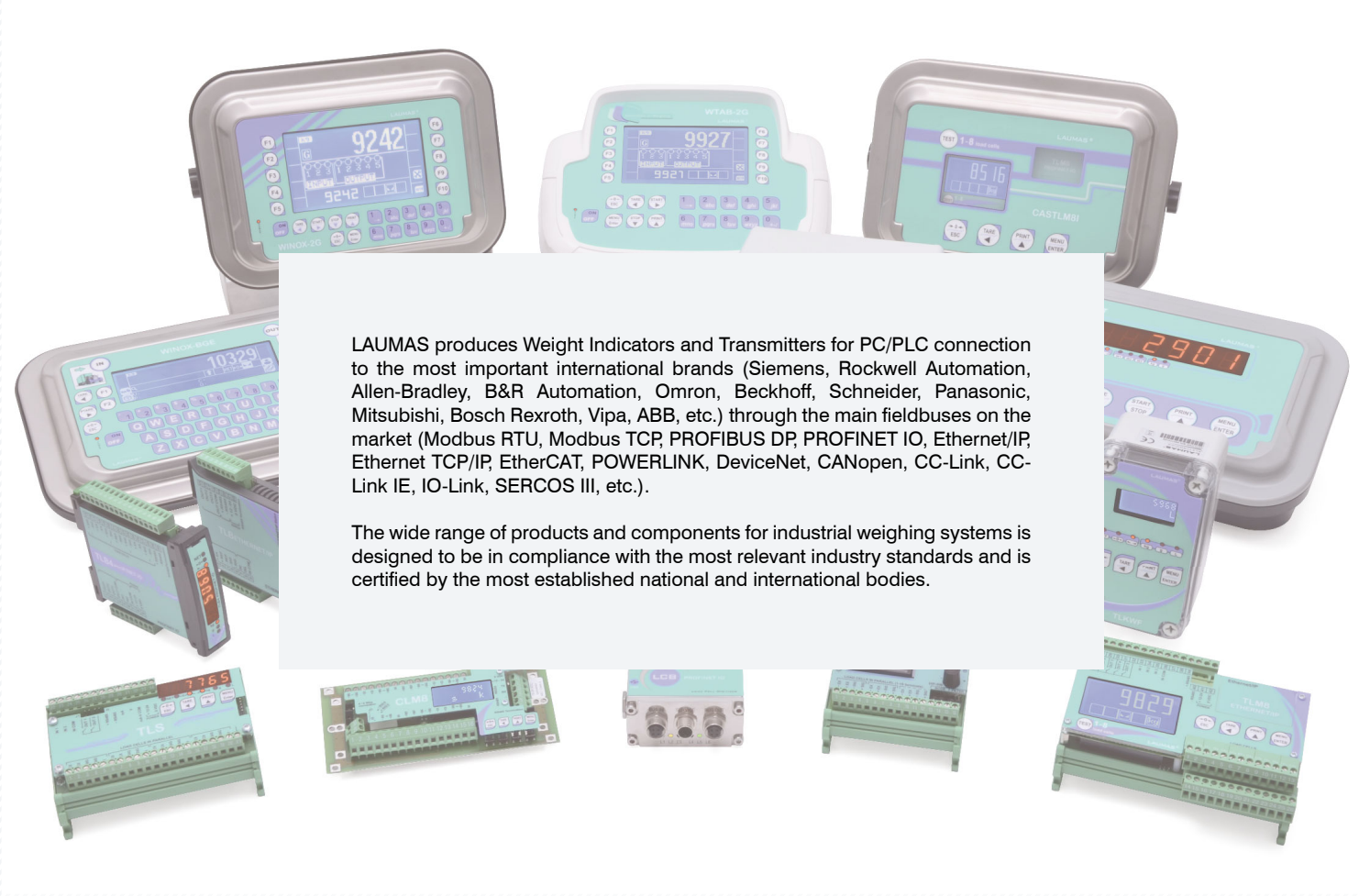
LOAD CELLS AND MOUNTING KITS



LAUMAS offers a wide range of load cells of the most common types in the main industrial sectors providing for each of them the quality, availability and assistance.

For all load cells, LAUMAS is able to provide suitable mounting kits, with the aim of obtaining the correct application of the cell and maximum reliability and accuracy, and compatibly with the mechanical, electrical and pneumatic connections present on the weighing structure.

ELECTRONIC INSTRUMENTATION FOR WEIGHING AND BATCHING SYSTEMS

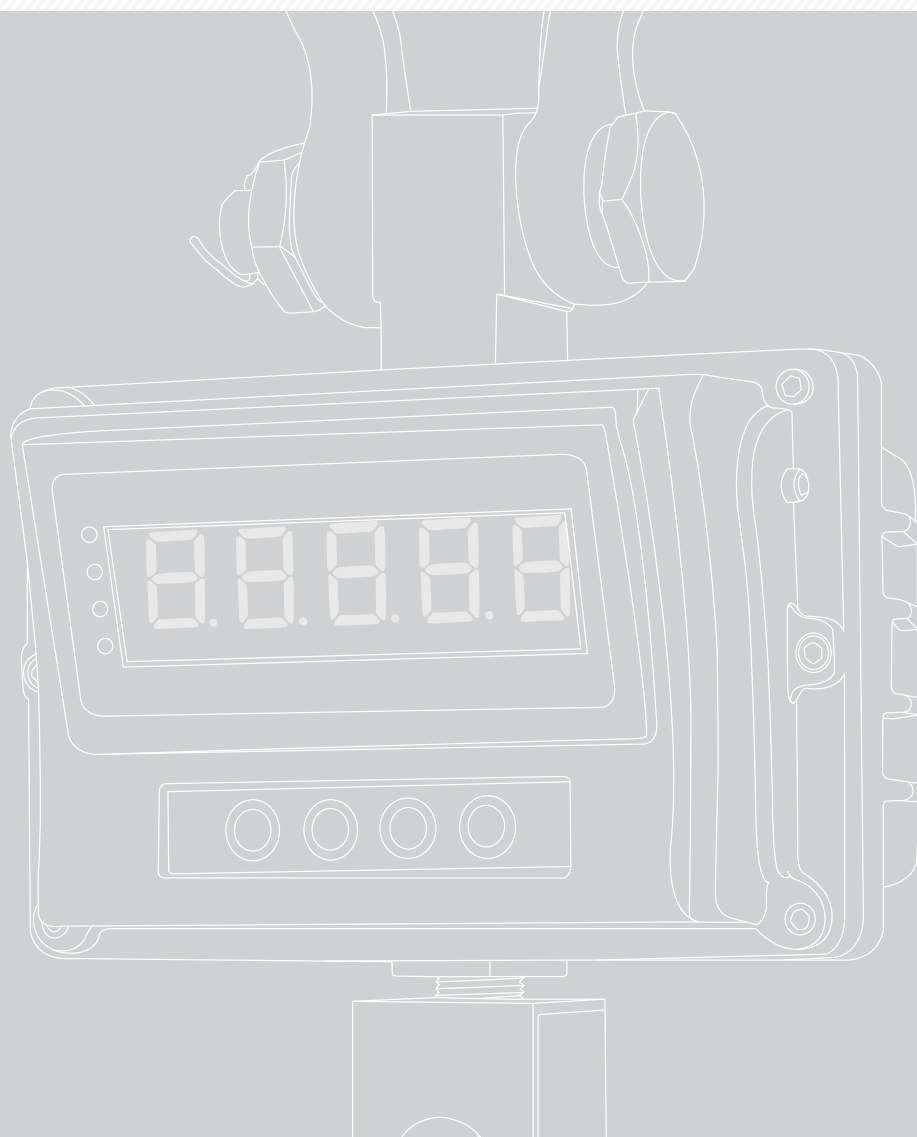


LAUMAS produces Weight Indicators and Transmitters for PC/PLC connection to the most important international brands (Siemens, Rockwell Automation, Allen-Bradley, B&R Automation, Omron, Beckhoff, Schneider, Panasonic, Mitsubishi, Bosch Rexroth, Vipa, ABB, etc.) through the main fieldbuses on the market (Modbus RTU, Modbus TCP, PROFIBUS DP, PROFINET IO, Ethernet/IP, Ethernet TCP/IP, EtherCAT, POWERLINK, DeviceNet, CANopen, CC-Link IE, IO-Link, SERCOS III, etc.).

The wide range of products and components for industrial weighing systems is designed to be in compliance with the most relevant industry standards and is certified by the most established national and international bodies.



LAUMAS.COM



LAUMAS

LAUMAS ELETTRONICA SRL
VIA I MAGGIO N. 6
43022 MONTECHIARUGOLO (PR) - ITALY

PHONE (+39) 0521 683124
FAX (+39) 0521 681091

EXPORT SALES DEPARTMENT: sales@laumas.it

