

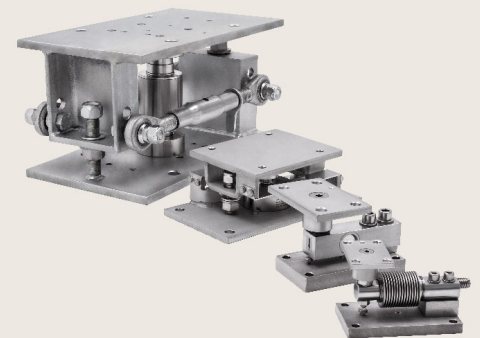
LAUMAS[®]
Innovation in Weighing

LAUMAS



since
1984

INDUSTRIAL WEIGHING



IECEx

PRODUCTS

Weight indicators and Transmitters

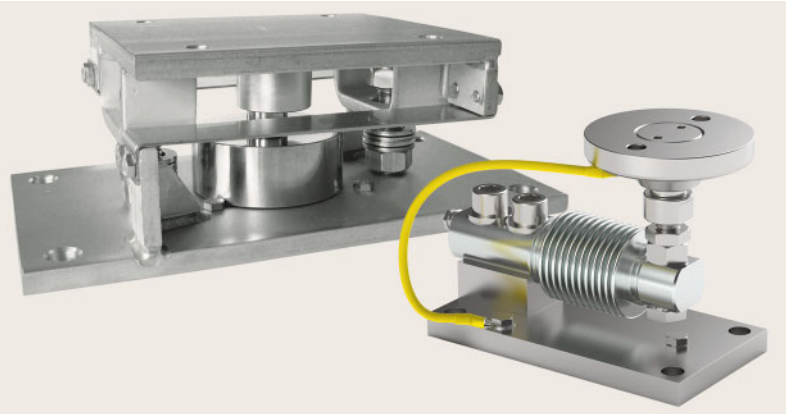
Our instruments are compatible with any load cell and can be connected to PCs and PLCs of the most important international brands via the main field buses on the market. They are designed directly by our engineers, who take care of both the hardware and the software part, developing specific firmware depending on the application they are intended for.



Load Cells and Mounting Kits

Available in any type, capacity (from 0.2 kg to 2000 tons) and protection rating up to IP69K, they are reliable and versatile so that they can be used in any weighing system.

Our mounting kits ensure the correct application of the load cells and guarantee them maximum reliability and precision.



Scales, modules and weighing platforms

Our products are approved and compliant, suitable for any type of installation, environment and industrial sector: weighing platforms with one or four load cells, scales, weighing bars, crane scales and pallet truck scales.



Certified products

Our components, used in the construction of industrial weighing systems, are approved and certified according to the standards of the major national and international bodies with reference to legal metrology standards, use in hazardous areas at risk of explosion, electrical safety and hygiene.

Customized products

We design and manufacture custom-made products to solve specific customer problems and meet the needs of particular applications in special conditions, even certified for potentially explosive atmospheres.



SERVICES

Research and Development

A team of constantly updated engineers who design our products with particular attention to the continuous innovation of the components.

Laboratories with state-of-the-art equipment for carrying out all types of control tests on load cells, mounting kits, weight indicators and weight transmitters.



Pre-sales consultancy and After-sales service

Pre-sales consultancy for the selection of the most suitable products for the needs of each weighing system.

Fast and effective after-sales technical assistance service.

International presence

We are present in over 90 countries around the world through a dense network of highly referenced distributors, dealers and service centers offering: pre-sales advice, sales, installation, technical assistance and periodic calibration of weighing systems.



INTERNATIONAL DEALERS

"No man is an island" (John Donne)



Testing, Calibration, Quality Control

Calibration service through our accredited laboratory (LAT) for the calibration of load cells and load cells + weight indicator.

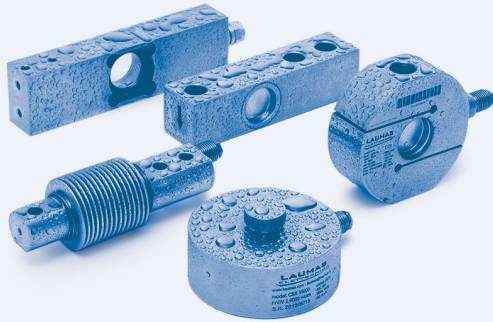
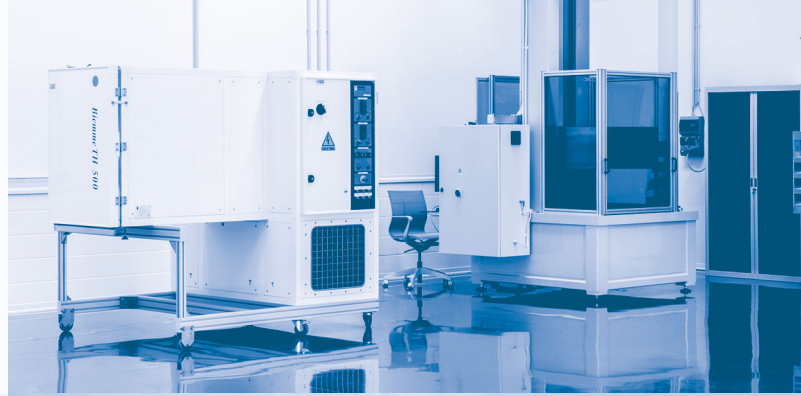
Issue of the relative certificates for force values between 2 and 100 kN (according to UNI EN ISO 376 and ASTM E 74 standards) or the linearity and repeatability test for force values between 0.5 and 5000 kN (compression) and between 0.5 and 600 kN (traction).

Goods ready for delivery

More than 1500 items in the catalog and a warehouse of 2000 m² with 55,000 pieces ready for delivery.

Order management and fulfillment times are rapid, products are traceable and shipments are constantly monitored.





WEBINAR TUTORIAL TRAINING

Webinars and video tutorials to facilitate the installation, configuration and integration of our components.

Technical training to deepen the knowledge of the products.

laumas.com/en/webinar-training-videos/

#LAUMASKNOWHOW



BLOG

in 6 different languages

Case studies

Products

Guides

Best sellers



laumas.com/en/blog/

LAUMAS

LAUMAS ELETTRONICA SRL
VIA I MAGGIO N. 6
43022 MONTECHIARUGOLO (PR) - ITALY

PHONE (+39) 0521 683124
FAX (+39) 0521 681091

EXPORT SALES DEPARTMENT: sales@laumas.it



LAUMAS.COM

